

Two Piece Top Entry Ball Valves

Model: TE-2



SEVERE SERVICE ENGINEERING

TRUNNION MOUNTED
BI-DIRECTIONAL SHUT-OFF

Sizes: 1/2" to 16"
1-13/16" to 9" +

Pressure Class: ANSI / ASME 150 - 4500
B16.34, API 6A, API 6D, BPVC
API 2000 - 15000

Temperature: -320° F (Cryogenic) to (+) 1500 ° F
(High temperature)

End Connections: RF / RTJ / WELD END / HUB END
Special ANSI B16.5 / API 6A / ANSI B16.25

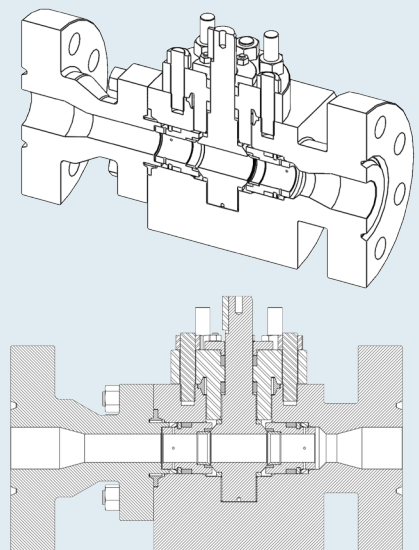
Leakage Class: -BUBBLE-TIGHT (Soft-Seated)
-ANSI/FCI 70.2 - Class V & VI (Metal Seated)
-API 6D & API 6A - PSL1-3
-API 598, 150, 5208 RATE

Actuation: Manual, Pneumatic, Hydraulic, Electric...



Standard Features

1. Metal-to-metal body/bonnet seal: reliable and fire safe
2. Solid one-piece ball, stem trunnion designs: Stronger, simpler, and more accurate
3. Pre-loaded, pressure assisted seating, bi-directional seating: no lateral ball movement along flow bore. Pre-loading provides uniform torque. Pressure assistance assures tighter seal.
4. Engineered stem and seat seals per customer specification
5. Rigid bolted body: optimal strength and versatility
6. Trunnion bearing supports: assures alignment and reduce ball/seat torque



13124 Trinity Drive, Stafford, TX. 77477
www.cornerstonevalve.com
(281) 880-8188

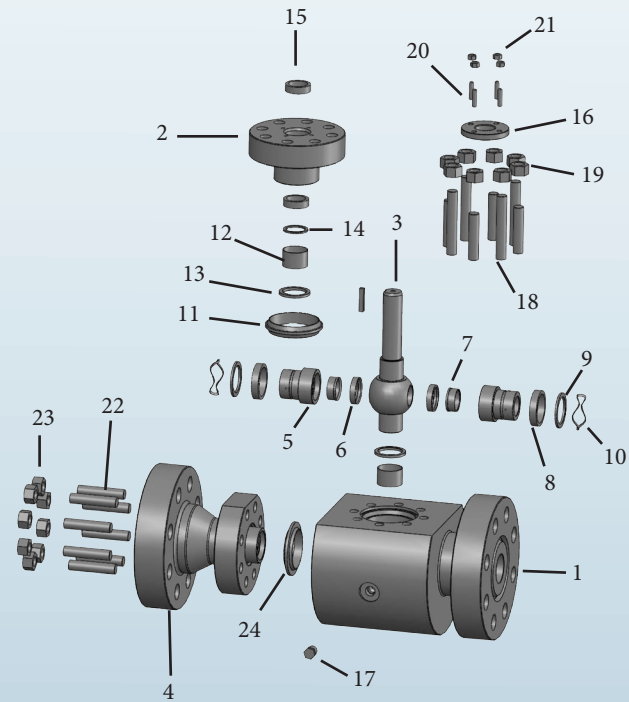


Model: TE-2

PARTS LIST

A/R = AS REQUIRED

| ITEM | QTY | DESCRIPTION |
|------|-------|----------------|
| 1 | 1 | Body |
| 2 | 1 | Bonnet |
| 3 | 1 | Ball |
| 4 | 1 | Tail Piece |
| 5 | 2 | Seat |
| 6 | 2 | Seat Seal |
| 7 | 2 | Seat Retainer |
| 8 | 2 | Piston Seal |
| 9 | 2 | Pusher Ring |
| 10 | 2 | Wave Spring |
| 11 | 1 | Bonnet Seal |
| 12 | 1 | Bearing |
| 13 | 1 | Thrust Bearing |
| 14 | 1 | Spacer Ring |
| 15 | 2 | Stem Seal |
| 16 | [A/R] | Packing Flange |
| 17 | 1 | Bleed Fitting |
| 18 | [A/R] | Bonnet Studs |
| 19 | [A/R] | Bonnet Nuts |
| 20 | [A/R] | Packing Studs |
| 21 | [A/R] | Packing Nuts |
| 22 | [A/R] | Body Studs |
| 23 | [A/R] | Body Nuts |
| 24 | 1 | Body Seal |



CORNERSTONE VALVE
CAN ASSIST IN
SELECTION OF THE
OPTIMUM MATERIALS FOR
YOUR SPECIFIC SERVICE.

Applications

- Oil & Gas production natural gas to 15,000 PSIG
- Crude Oil
- Ore slurries
- Steam & Condensate
- Cryogenic / Liquid or Gas
- Subsea

Available Options

- Solids proof design
- Double block & bleed
- Steam purge ports
- Secondary & tertiary stem seals
- Soft seated or metal seated
- Various ball coatings
- CRA overlays
- Firesafe
- Subsea
- Materials to nace standards
- More available upon request

Materials

Carbon Steel, Stainless Steel, Duplex, Stainless, Chrome Molybdeum, Nickel & Titanium based alloys and other exotic alloy available upon request.

