

Two Piece End Entry Ball Valves

Cryogenic Series



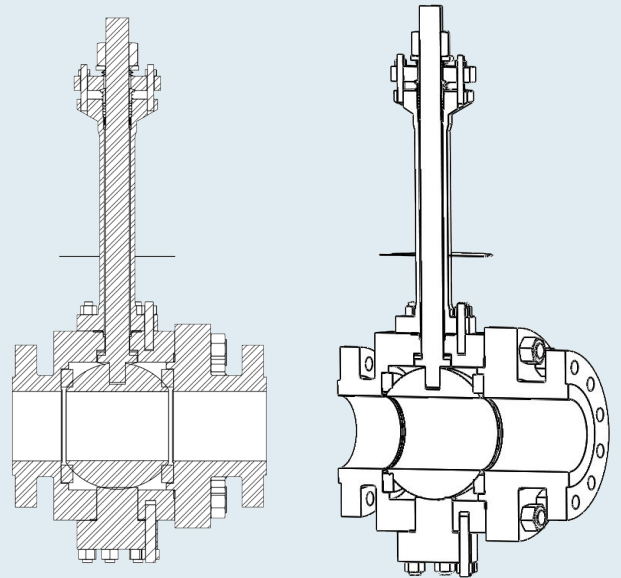
FULL OR REDUCED PORT, BI-DIRECTIONAL
CAVITY RELIEVING, BUBBLE TIGHT SHUT-OFF

Sizes:	1/2" to 12"
Pressure Class:	ANSI / ASME 150 - 1500 B16.34, API 6A, API 6D, BPVC API 2000 - 5000
Temperature:	(-) 450° F (Cryogenic) to (+) 450°F (High Temperature)
End Connections:	RF / RTJ / WELD END / HUB END Special ANSI B16.5 / API 6A / ANSI B16.25
Leakage Class:	Meets or Exceeds BS6364, ISO 28921 -API 6D & API 6A - PSL1-3G -API 598 -Bubble Tight (Soft Seated) @ Ambient Temp.
Fugitive Emissions:	ISO 15848 Certified
Actuation:	Manual, Pneumatic, Hydraulic, Electric...



Standard Features

1. Spiral wound graphite body/bonnet seal: reliable and fire safe
2. Floating ball, extended stem & bonnet
3. Pre-loaded, pressure assisted seating, bi-directional seating: Cavity-relieving cantilever seats. Pre-loading provides uniform torque. Pressure assistance assures tighter seal.
4. Engineered stem and fugitive emission seals per customer specification
5. Rigid bolted body: optimal strength and versatility



13124 Trinity Drive, Stafford, TX. 77477
www.cornerstonevalve.com
(281) 880-8188

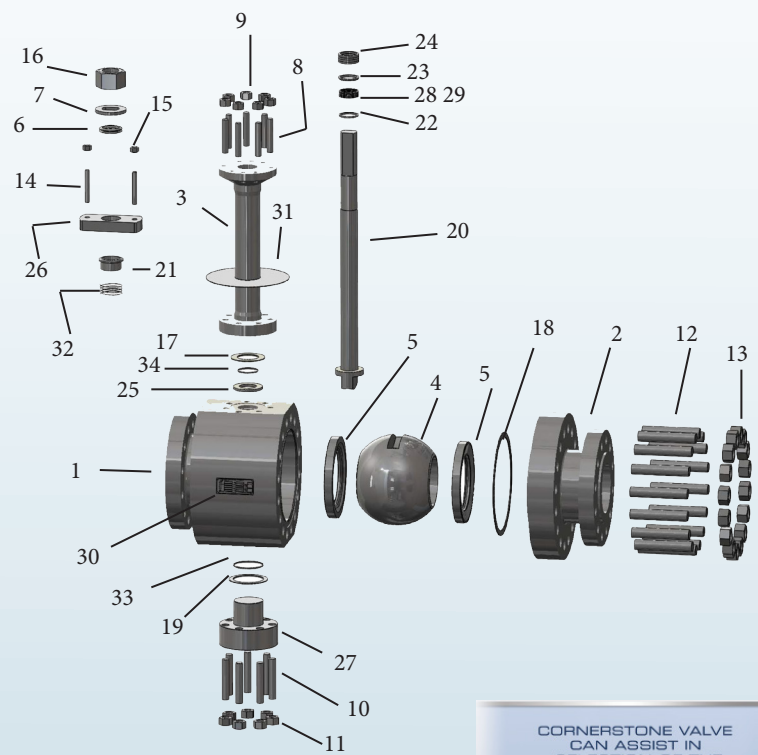


Model: FBC

PARTS LIST

A/R = AS REQUIRED

ITEM	QTY	DESCRIPTION
1	1	Body
2	1	Tailpiece
3	1	Bonnet
4	1	Ball
5	2	Seat
6	1	Spring Set
7	1	Stop Plate
8	A/R	Bonnet Stud
9	A/R	Bonnet Hex Nut
10	A/R	Trunnion Stud
11	A/R	Trunnion Hex Nut
12	A/R	Tailpiece Stud
13	A/R	Tailpiece Hex Nut
14	A/R	Packing Stud
15	A/R	Packing Hex Nut
16	1	Stem Hex Nut
17	1	Body Gasket
18	1	Tailpiece Gasket
19	1	Trunnion Gasket
20	1	Stem
21	1	Packing Follower
22	1	Stem Washer
23	1	Packing Washer
24	4	Graphite Packing
25	1	Thrust Washer
26	1	Packing Flange
27	1	Trunnion Plug
28	10	PTFE Packing
29	2	Stem Anti X Ring
30	1	Valve Tag
31	1	Drip Plate
32	1	Static Spring
33	1	Trunnion Ring
34	1	Bonnet Ring



CORNERSTONE VALVE
CAN ASSIST IN
SELECTION OF THE
OPTIMUM MATERIALS FOR
YOUR SPECIFIC SERVICE.

Materials

Stainless Steel, Stainless, Nickel & Titanium based alloys and other exotic allow available upon request.

Available Options

- Secondary and Tertiary Stem Seals
- Soft Seated or Metal Seated
- Fire Safe
- Materials to Nace Standards
- More, available upon request

Applications

- LNG Storage / Distribution Service
- Liquid Oxygen Service
- Liquid Nitrogen Service
- Low Temperature Processing
- Petroleum Refining

