

# End-Entry Floating Ball

## Model: FB2



END ENTRY FLOATING BALL  
TWO OR THREE PIECE BODY

Sizes: 1/2" to 12"

Pressure Class: ANSI / ASME 150 - 4500  
B 16.34, API 6D

Temperature: (-) 20° F to  
(+) 1600° F (High temperature)

End Connections: RF / RTJ / WELD END / HUB END / SPECIAL  
ANSI B16.5 / API 6A / ANSI B16.25

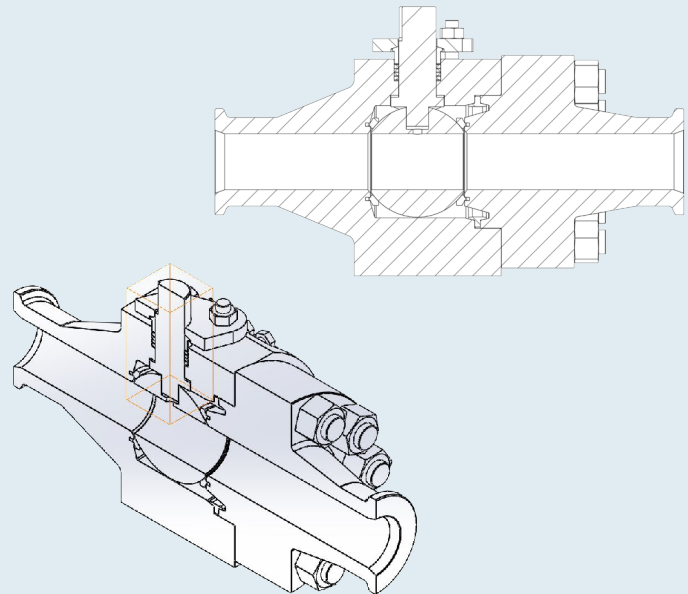
Leakage Class: Metal & Soft Seat: Leakage Rate A -  
Zero Leakage

Actuation: Manual, Pneumatic, Hydraulic, Electric...



## Standard Features

1. Spiral wound graphite or metal to metal body/bonnet seal: reliable and fire safe
2. Floating ball design
3. Pre-loaded, pressure assisted seating, uni-directional seating: Pre-loading provides uniform torque. Pressure assistance assures tighter seal.
4. Engineered stem and fugitive emission seals per customer specification
5. Rigid bolted body: optimal strength and versatility



13124 Trinity Drive, Stafford, TX. 77477  
www.cornerstonevalve.com  
(281) 880-8188

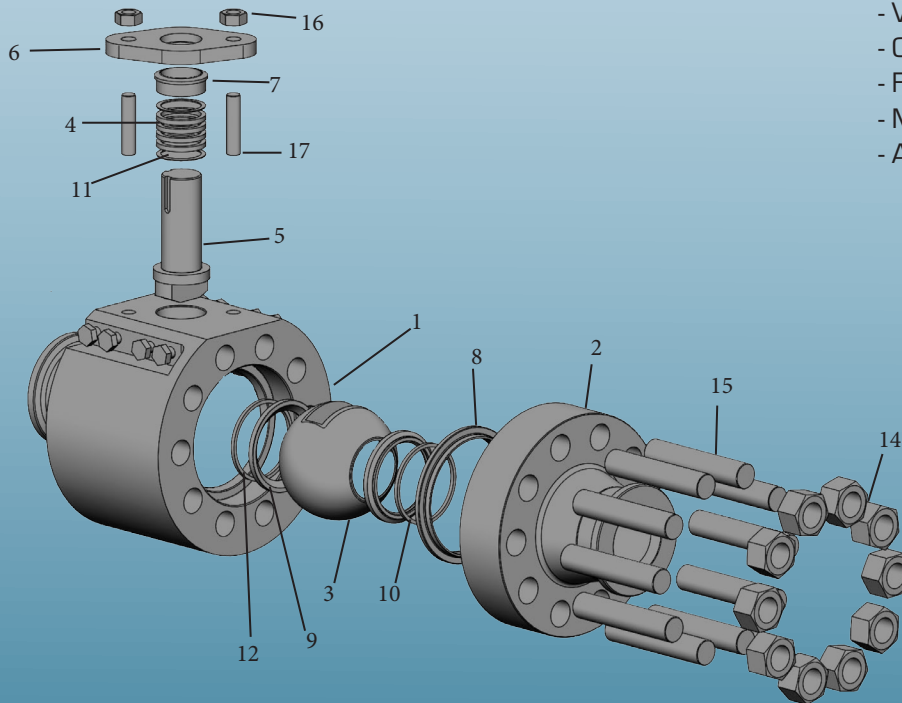


# Model: FB2

## PARTS LIST

A/R = AS REQUIRED

ITEM	QTY	DESCRIPTION
1	1	Body
2	1	Tail Piece
3	1	**Ball
4	2	**Seat
5	1	Stem
6	1	Packing Gland
7	1	Packing Ring
8	1	**Fire Safe Body Seal
9	1	*Thrust Washer
10	2	*Anti Extrusion Ring
11	2	*Anti Extrusion Ring
12	2	*Seat Back Seal
13	4	*Packing
14	10	Heavy Hex Nuts
15	10	Body Studs
16	2	Packing Heavy Hex Nuts
17	2	Packing Studs



## Applications

- Chemical Processing
- Refining
- Frequent Actuation
- Operation
- Tight Shutt-Off (soft seat design) Oxygen
- Chlorine Service

## Materials

Carbon Steel, Stainless Steel, Duplex, Stainless, Chrome Molybdeum, Nickel & Titanium based alloys and other exotic alloy available upon request.

## Available Options

- Steam Purge Ports
- Secondary & Tertiary Stem Seals
- Soft Seated or Metal Seated
- Various Ball Coatings
- CRA Overlays
- Firesafe
- Materials to Nace Standards
- Ask, we can provide others

CORNERSTONE VALVE  
CAN ASSIST IN  
SELECTION OF THE  
OPTIMUM MATERIALS FOR  
YOUR SPECIFIC SERVICE.