

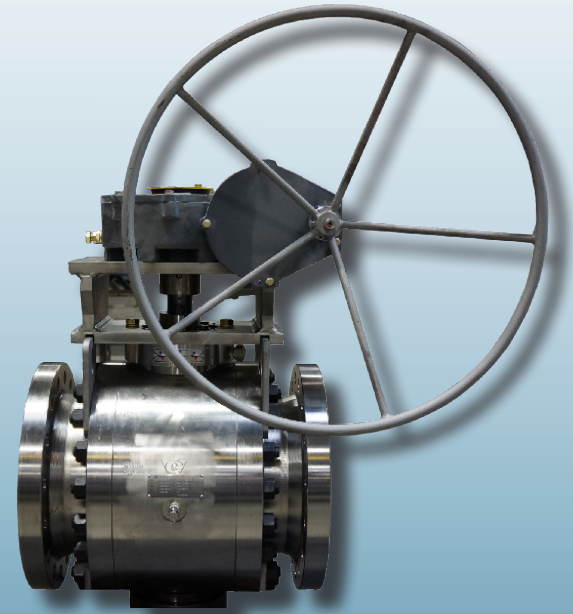
# Three Piece Ball Valves

## Model: EE3/ES3



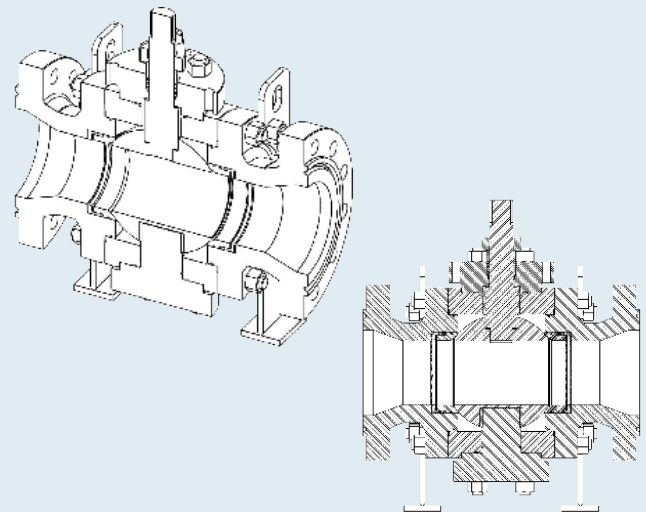
Metal Seated & Soft Seated Options,  
Cryogenic Options

Sizes:	1/2" to 56" +
Pressure Class:	ANSI / ASME 150 - 2500 API 6D, B 16.34, BPVC Div. 1 Custom
Temperature:	ES3 (soft): (-) 50° F to 450° F EE3 (metal): (-) 50° F to 750° F
End Connections:	SW, BW, RF, RTJ, Customer Specified, ASME B16.11 / ASME B16.5 / ASME B16.25
Leakage Class:	-API 6D -API 598 -Bubble Tight (Soft Seated) -ANSI/FCI 70.2 Class V & VI (Metal Seated)
Actuation:	Manual, Pneumatic, Hydraulic, Electric...



### Standard Features

1. Metal-to-metal body/bonnet seal: reliable and fire safe
2. Pre-loaded, pressure assisted seating, bi-directional seating: no lateral ball movement along flow bore. Pre-loading provides uniform torque. Pressure assistance assures tighter seal.
3. Engineered stem and seat seals per customer specification
4. Rigid bolted body: optimal strength and versatility
5. Trunnion bearing supports: assures alignment and reduce ball/seat torque



13124 Trinity Drive, Stafford, TX. 77477  
www.cornerstonevalve.com  
(281) 880-8188  
Copyright 2016



# Model: EE3

A/R = AS REQUIRED

ITEM	QTY	DESCRIPTION
1	1	Body
2	2	End Flange
3	1	**Ball
4	1	*Stem
5	1	*Lower Trunnion
6	5	*Packing
7	1	*Trunnion Gasket SW
8	1	*Bushing
9	1	*Bushing
10	1	*Thrust Washer
11	1	Bonnet
12	20	Bonnet Stud
13	40	Heavy Hex Nut
14	1	Packing Ring
15	1	Packing Gland
16	2	Packing Stud
17	16	End Flange Stud
18	1	Body Test Port
19	1	*Secondary Stem Seal
20	1	Packing Washer
21	2	**Seat
22	2	Heavy Hex Nut
23	2	Seat Pusher
24	6	*Seat Piston Seal
25	4	Trunnion Stud
26	1	*Bonnet Gasket SW
27	2	*Endflange Gasket SW
28	1	*Thrust Washer
29	1	*Trunnion O-Ring
30	2	*Endflange O-Ring
31	2	*Seat Piston O-Ring
32	48	Seat Spring
33	1	Grease Fitting
34	1	Vented Cap Button Head
35	4	Valve Support Feet
36	4	Lifting Eye

## Materials

Carbon Steel, Stainless Steel, Duplex, Chrome, Molybdenum, Nickel & Titanium based alloys and other exotic allow available upon request.

## Available Options

- Solids proof design
- Double block & bleed
- Steam purge ports
- Secondary & Tertiary stem seals
- Soft seated or metal seated
- Various ball coatings
- CRA Overlays
- Firesafe
- Materials to nace standards
- More available, upon request

CORNERSTONE VALVE CAN ASSIST IN SELECTION OF THE OPTIMUM MATERIALS FOR YOUR SPECIFIC SERVICE.

## Applications

- Oil & gas production
- Natural Gas
- Crude oil
- Ore slurries
- Steam & condensate

