

Models 4700P/4700E and 4800P/4800E Corrosion Resistant Positioners



Table of Contents

Foreword	2
Numbering System	3
Specification Data	3 - 4
Operation/Features	5 - 6
Instrument Signals	7
Parts Reference	8 - 11
Masoneilan Direct Sales Offices	12

Foreword

The Models 4700E/4800E (Electric) and 4700P/4800P (Pneumatic) are field proven positioners utilizing a precision feedback cam to provide accurate positioning, very fast response, and customized control characteristics for control valves. These positioners can be used with either rotary or reciprocating actuators. When mounted on reciprocating actuators, a simple, rugged turnbuckle and lever assembly couples stem motion to the cam. On rotary acutators, the cam is mounted directly on the shaft.

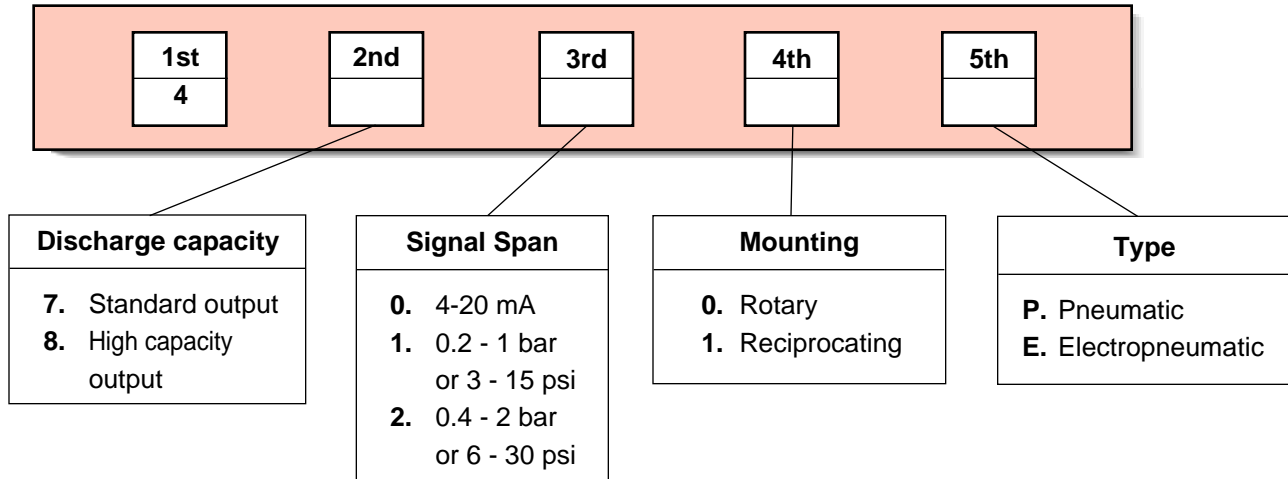
The main features of the Models 4700P/4700E and 4800P/4800E positioners are:

- **one multi-lobe cam** - The cam provides linear, split linear and equal percentage control characteristics. Custom characteristics are available on special order.
- **zero adjustments** - Adjustment of the positioner zero can easily be accomplished by means of the adjustable spring button. Further zeroing can be performed through the turnbuckle assembly on linear motion actuators.

- **corrosion resistant material** - Protection against harsh environments. Internal componts are manufactured of corrosion resistant materials.
- **fully enclosed** - All adjustments are fully enclosed for protection from the environment
- **simplicity** - Positioner action can be reversed without additional parts (4700P/4800P only). The same mounting orientation is used for both direct and reverse action.
- **easy to maintain** - The pilot valve is the only moving part in the pilot housing. It is easily removed without disassembling any other part of the positioner.
- **optional bypass** - A molded nylon bypass valve with an O-ring seal permits continued automatic control during the cleaning of the pilot valve. The bypass valve is concealed in back of the unit to prevent tampering. The bypass is available only on the direct action 4700P pneumatic positioner.
- **damping adjustment** - On Model 4700, actuator travel speed can be adjusted as required for stable operation.

Trade names noted throughout are for reference only. Masoneilan reserves the right to supply trade named material or its equivalent.

Numbering System



Specification Data

Type : cam feedback, pneumatic, force balanced; electropneumatic positioner uses current to pneumatic converter to generate pneumatic operating signal

Action : direct: increasing signal increases output
reverse: increasing signal decreases output

Note: Reverse Action is available only on the 4700P/4800P Pneumatic Positioner

Characteristics : linear
 equal percentage
 custom

Maximum air consumption : 4700 : 0.5 Nm³/h - 1.7 bar eff supply
 4800 : 0.9 Nm³/h - 1.7 bar eff supply

Output and exhaust capacity : see Figure 1 (page 4)

Temperature effects span error (typical) :	Temp. Range °C	Error
	-40 to -20	0.31% per °C
	-20 to +60	0.06% per °C
	+60 to +85	0.11% per °C

Supply pressure influence : less than 0.37% stroke change per 100 mbar supply change

Maximum air supply rating : dictated by actuator, but never greater than 100 psig

Connections :
 - pneumatic 1/4" NPT (4700) or 3/8" NPT (4800)
 - electrical 1/2" NPT or M20

Weight :
 4700P - 1.6 kg (3.5 lbs)
 4700E - 2.1 kg (4.7 lbs)
 4800P - 1.9 kg (4.2 lbs)
 4800E - 2.4 kg (5.3 lbs)

Performance	4700P	4700E
Deadband	< 0.2% of span	<0.5% of span
Hysteresis	< 0.2% of span	<0.5% of span
Repeatability	within 0.2% of span	within 0.5% of span
Sensitivity	better than 0.2% of span	better than 0.3% of span
Conformity	±1% of span	±1% of span
Input resistance 4-20 mA signal	N/A	170 ohms nominal

Hazardous Area Installations

The positioner is available in versions suitable for use in hazardous areas. The labeling on the positioner indicates correct areas of use.

ATEX approved version (94/9/EC Directive)

Explosionproof : II 2 G/D EEx d IIC
 T6 (Tamb. = -40°C to +55°C)
 T5 (Tamb. = -40°C to +70°C)
 T4 (Tamb. = -40°C to +85°C)
 IP 66 T90 (Ta +80°C)
 N° SIRA 02 ATEX 1274

Intrinsically Safe : II 1 G/D EEx ia IIC
 T6 (Tamb. = -40°C to +55°C)
 T4 (Tamb. = -40°C to +80°C)
 IP 66 T90 (Ta +80°C)
 N° SIRA 02 ATEX 2277 X

Factory Mutual approved version

Explosionproof :
 Class I, Division 1, Groups B, C, and D.
 Temperature classification T6 @ 75°C ambient
 T5 @ 85°C ambient
 Indoor and outdoor (NEMA Type 4X) hazardous (classified) locations.

Dust-Ignitionproof :
 Class II / III, Division 1, Groups E, F, and G.

Non-Incendive :
 Class I / II / III, Division 2, Groups A, B, C, D, F, and G.

Intrinsically Safe :

Class I / II / III, Division 1, Groups A, B, C, D, E, F, and G hazardous indoor/outdoor NEMA 4X locations.
 Temperature Classification T4 @ 40°C ambient
 T3B @ 70°C ambient
 T3A @ 85°C ambient

CSA (Canadian Standards Association) approved version

Explosionproof :
 Class I, Groups B, C, and D
 Class II, Groups E, F, and G
 and Class III rated at 30 mA maximum, 28 Vdc maximum, with a temperature code T6 @ 75°C
 T5 @ 85°C

Division 2 :

Class I, Division 2, Groups A, B, C, and D rated 30 mA maximum and 28Vdc maximum.

Intrinsically Safe :

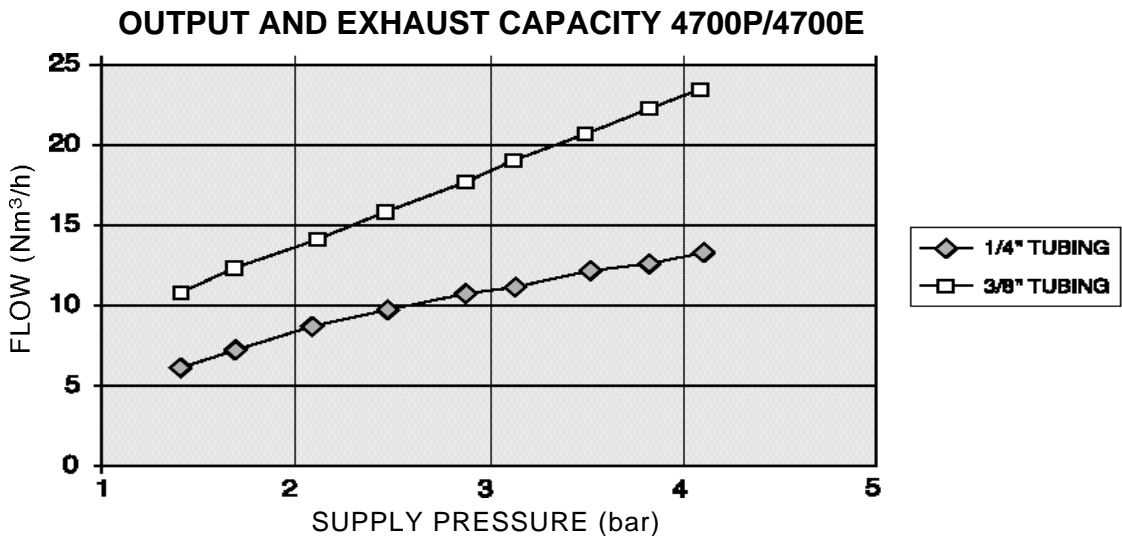
Class I, Division 1, Groups A, B, C, and D.
 Class II, Division 1, Groups E, F, and G.
 Class III rated at 30 mA and 28 Vdc maximum.
 Temperature code T6 @ 55°C
 T4A @ 85°C

Non-Incendive :

Class I, Division 2, Groups A, B, C, and D.
 30 mA and 28 Vdc maximum.

Enclosure rating :

IP 66 and NEMA 4X in hazardous indoor/outdoor locations.



The Models 4700P/4700E and 4800P/4800E cam positioners provide precise positioning, fast response, and customized control characteristics.

The main features of the Models 4700P/4700E and 4800P/4800E are:

- **cam characterization** - This cam provides field changeable, linear, split range linear, and equal percentage control characteristics. Custom characteristics are available on special order.
- **zero and span adjustments** - For ease of installation and maintenance, two simple procedures provide easy adjustment of zero and span. An adjustment nut allows zeroing while span is accomplished by changing the effective length of the feedback spring. All adjustments are fully enclosed for protection from the environment.

NOTE: The electropneumatic (4700E/4800E) positioner has no adjustments in the I/P module.

- **simple and easy to maintain** - The pilot valve is the only moving part in the pilot housing. It is easily removed without disassembling any other part of the positioner. An optional bypass valve module is available for use on the Model 4700P pneumatic direct acting positioner. Where operating parameters allow, it permits the positioner to be isolated for maintenance while operating the valve directly with the instrument signal. The bypass module is mounted on the back of the positioner to discourage tampering.
- **corrosion resistance** - Premium performance is the standard on the Models 4700P/4700E and 4800P/4800E positioners. Internal components are manufactured of corrosion resistant materials for protection against the harshest environments.

ROTARY VALVES

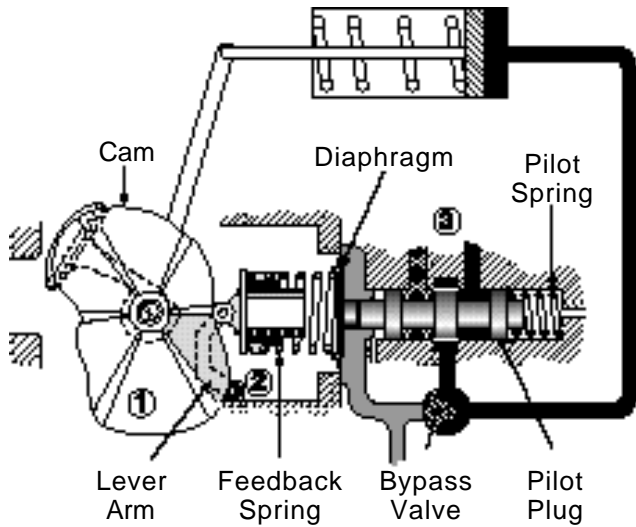
On rotary valves, the cam assembly is attached directly to the end of the shaft, and only one positioner assembly is required. This proven performer eliminates linkage and associated backlash problems.

RECIPROCATING VALVES

For use with reciprocating valve spring diaphragm actuators, the positioner is fitted with a post hub and shaft on which the cam is mounted. Actuation is transmitted to the cam via a rugged and simple turnbuckle and lever assembly.

Operation/Features

Direct Positioner Action



**Reverse Positioner Action
(4700P/4800P Only)**

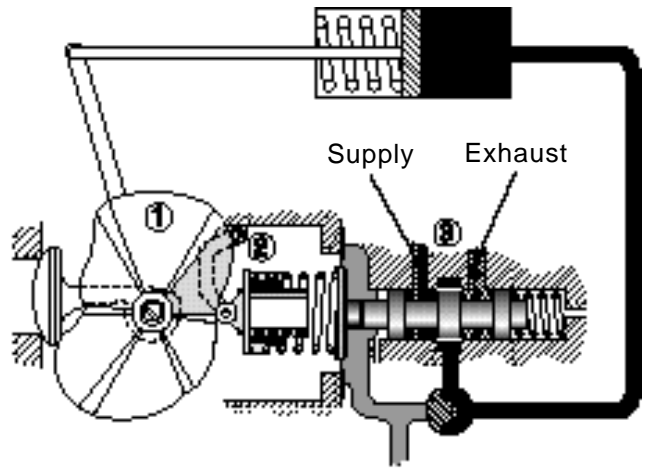
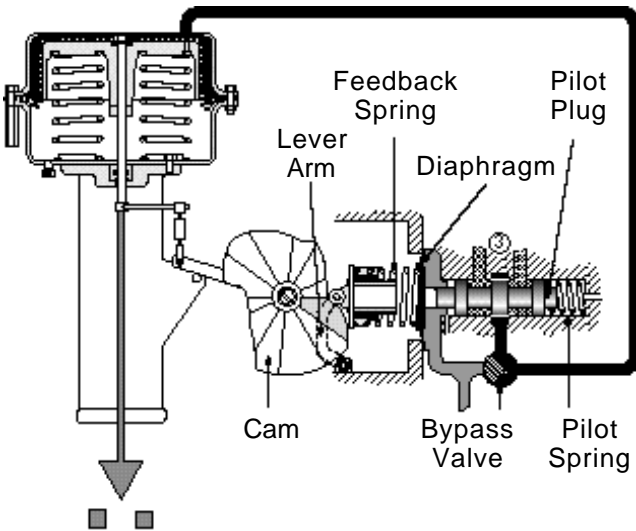


Figure 2 - Rotary

Direct Positioner Action



**Reverse Positioner Action
(4700P/4800P Only)**

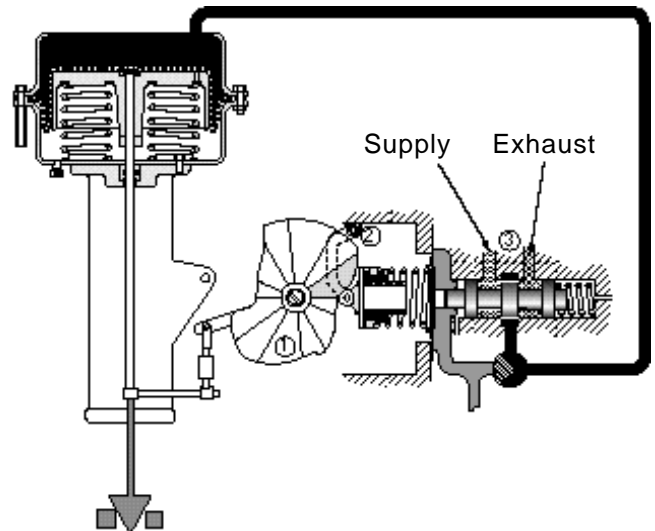


Figure 3 - Reciprocating



For 4700P/4800P models only, positioner action can be reversed by simply engaging the proper lobe on the cam and reversing the follower arm (numbers 1 and 2 above), and the supply and exhaust ports (number 3 above).

Characteristics shown represent final valve characteristic

Models 4700P/4700E and 4800P/4800E (Camflex® II and Varimax)

Characteristics			
Linear		Equal Percentage	
psi	bar	psi	bar
3 - 9	0.2 - 0.6	3 - 15	0.2 - 1
3 - 15	0.2 - 1	3 - 27	0.2 - 1.8
3 - 27	0.2 - 1.8	6 - 30	0.4 - 2
6 - 18	0.4 - 1.2		
6 - 30	0.4 - 2		
9 - 15	0.6 - 1		
15 - 27	1 - 1.8		
18 - 30	1.2 - 2		

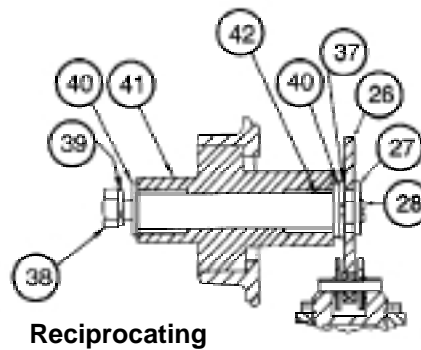
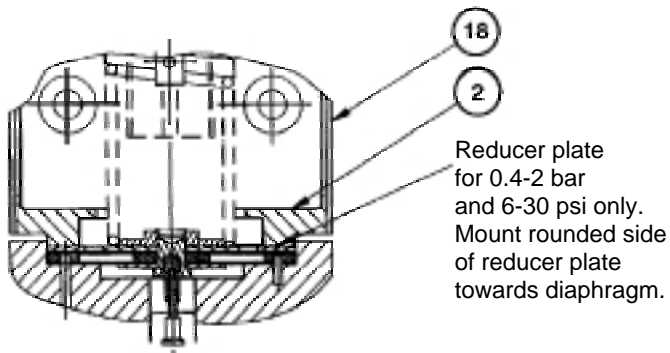
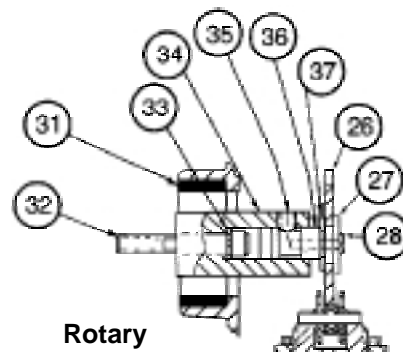
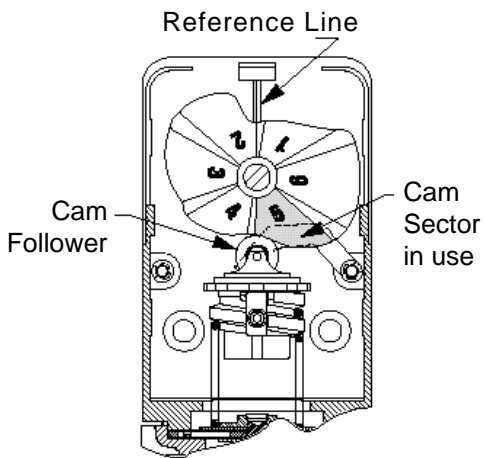
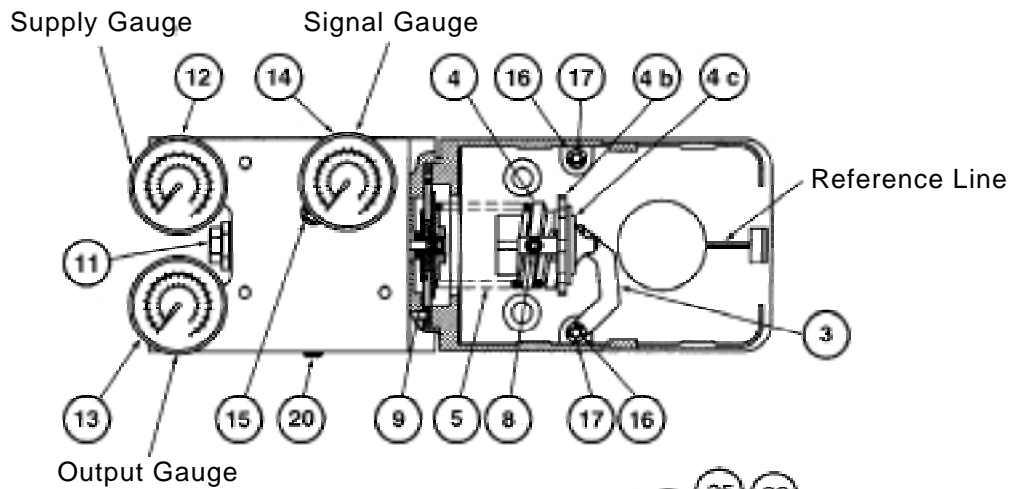
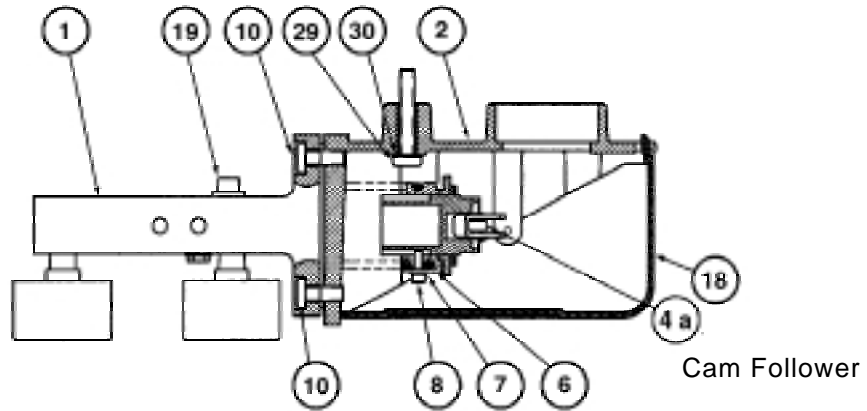
Models 4700P/4700E and 4800P/4800E (87/88 Actuator)

Characteristics			
Linear		Equal Percentage	
psi	bar	psi	bar
3 - 9	0.2 - 0.6	3 - 15	0.2 - 1
3 - 15	0.2 - 1	3 - 27	0.2 - 1.8
3 - 27	0.2 - 1.8	6 - 30	0.4 - 2
6 - 18	0.4 - 1.2		
6 - 30	0.4 - 2		
9 - 15	0.6 - 1		
15 - 27	1 - 1.8		
18 - 30	1.2 - 2		

Models 4700P/4700E and 4800P/4800E (MiniTork® II, 38002 TFE-Lined, 39002 HPBV and Paramax)

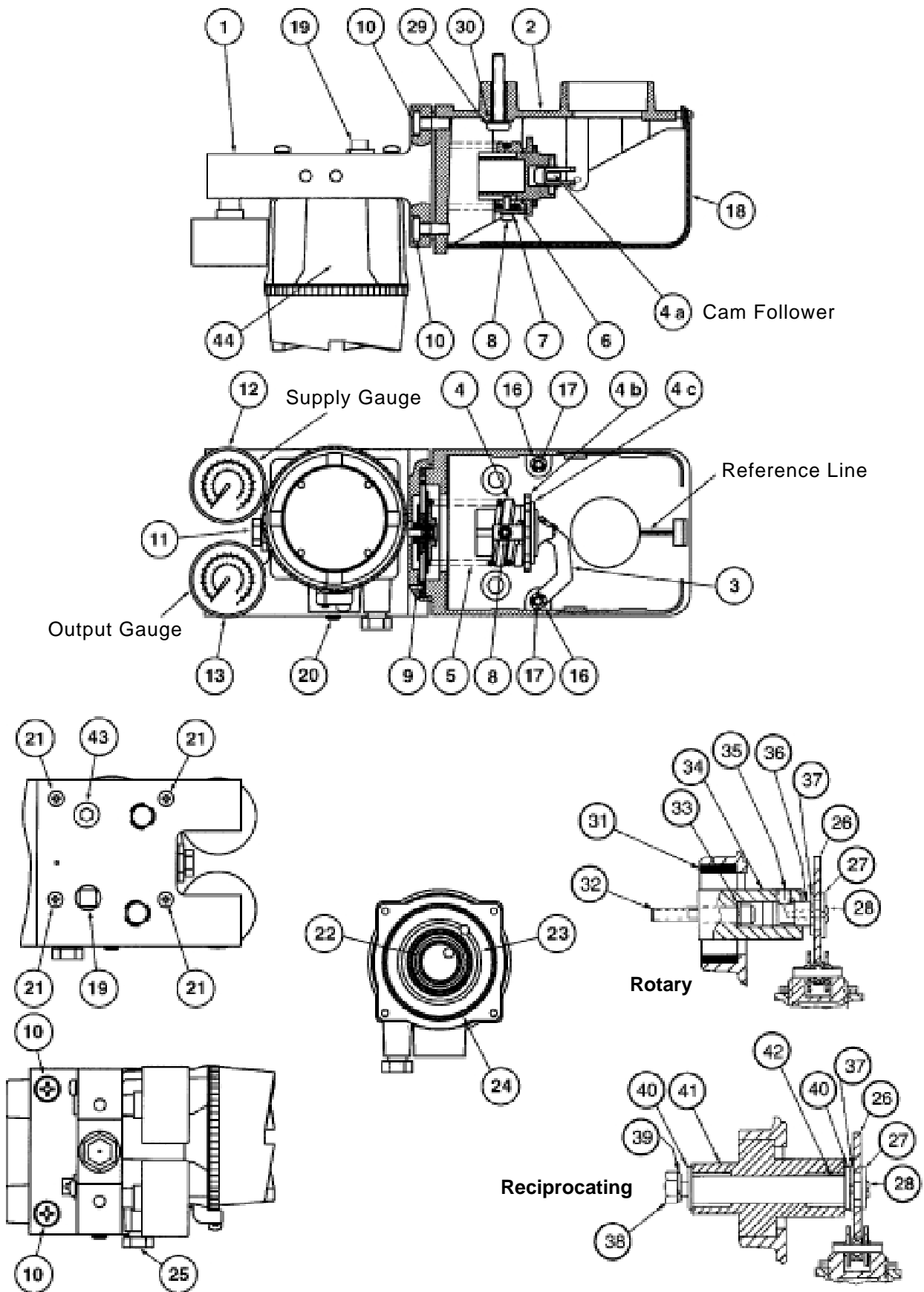
Characteristics	
Equal Percentage	
psi	bar
3 - 9	0.2 - 0.6
3 - 15	0.2 - 1
3 - 27	0.2 - 1.8
6 - 18	0.4 - 1.2
6 - 30	0.4 - 2
9 - 15	0.6 - 1
15 - 27	1 - 1.8
18 - 30	1.2 - 2

**4700P/4800P 0.2-1 bar or 3-15 psi
and 0.4-2 bar or 6-30 psi**



**Models 4700P/4800P positioners
0.2-1 bar or 3-15 psi range and 0.4-2 bar or 6-30 psi range**

Ref. No.	Description	Ref. No.	Description
1	Body S/A	26	Cam
2	Case S/A	27	Washer
3	Lever S/A	28	Pan Head Screw
4	Spring End	29	Socket Head Screw
4A	Cam Follower	30	Lockwasher
4B	Zero Nut	31	Gasket
4C	Zero Locknut	32	Socket Head Screw
5	Spring, Feedback	33	Lockwasher
6	Clamp	34	Coupling
7	Lockwasher	35	Socket Head Set Screw
8	Socket Head Screw	36	Cam Holder
9	Diaphragm S/A	37	Truarc Ring
10	Screw	38	Cap Screw
11	Pilot S/A	39	Lockwasher
12	Supply Gauge	40	Washer
13	Output Gauge	41	Post Hub S/A
14	Instrument Gauge	42	Input Shaft
15	Screw, Washer Head		
16	Washer		
17	Retaining Clip		
18	Cover, Case		
19	Vent Plug		
20	Screw, Sealing, Set 5/16-24 x .5		



Models 4700E and 4800E positioners

Ref. No.	Description	Ref. No.	Description
1	Body S/A	26	Cam
2	Case S/A	27	Washer
3	Lever S/A	28	Pan Head Screw
4	Spring End	29	Socket Head Screw
4A	Cam Follower	30	Lockwasher
4B	Zero Nut	31	Gasket
4C	Zero Locknut	32	Socket Head Screw
5	Spring, Feedback	33	Lockwasher
6	Clamp	34	Coupling
7	Lock Washer	35	Socket Head Set Screw
8	Socket Head Screw	36	Cam Holder
9	3-15 Diaphragm S/A	37	Truarc Ring
10	Screw	38	Cap Screw
11	Pilot S/A	39	Lockwasher
12	Supply Gauge	40	Washer
13	Output Gauge	41	Post Hub S/A
16	Washer	42	Input Shaft
17	Retaining Clip	43	Plug, Pipe 1/4" NPT
18	Cover, Case	44	I/P Module Assembly
19	Vent Plug		
20	Screw, Sealing, Set 5/16-24 x .5		
21	Screw 8-32 x 1.25		
22	O-ring .81" ID		
23	O-ring 1.31" ID		
24	O-ring 2.38" ID		
25	Breather		

DIRECT SALES OFFICE LOCATIONS

BELGIUM

Phone: +32-2-344-0970
Fax: +32-2-344-1123

BRAZIL

Phone: +55-11-2146-3600
Fax: +55-11-2146-3610

CANADA

Ontario
Phone: +905-335-3529
Fax: +905-336-7628

CHINA

Phone: +86-10-8486-4515
Fax: +86-10-8486-5305

FRANCE

Courbevoie
Phone: +33-1-4904-9000
Fax: +33-1-4904-9010

GERMANY

Viersen
Phone: +49-2162-8170-0
Fax: +49-2162-8170-280
Frankfurt
Phone: +49-69-439350
Fax: +49-69-4970820

INDIA

Mumbai
Phone: +91-22- 8354790
Fax: +91-22-8354791

New Delhi

Phone: +91-11-2-6164175
Fax: +91-11-5-1659635

ITALY

Phone: +39-081-7892-111
Fax: +39-081-7892-208

JAPAN

Chiba
Phone: +81-43-297-9222
Fax: +81-43-299-1115

KOREA

Phone: +82-2-2274-0748
Fax: +82-2-2274-0794

MALAYSIA

Phone: +60-3-2161-0322
Fax: +60-3-2163-6312

MEXICO

Phone: +52-5-310-9863
Fax: +52-5-310-5584

THE NETHERLANDS

Phone: +31-10-438-4122
Fax: +31-10-438-4443

RUSSIA

Veliky Novgorod
Phone: +7-8162-55-7898
Fax: +7-8162-55-7921

Moscow

Phone: +7 495-585-1276
Fax: +7 495-585-1279

SAUDI ARABIA

Phone: +966-3-341-0278
Fax: +966-3-341-7624

SINGAPORE

Phone: +65-6-6861-6100
Fax: +65-6-6861-7172

SOUTH AFRICA

Phone: +27-11-452-1550
Fax: +27-11-452-6542

SOUTH & CENTRAL AMERICA AND THE CARIBBEAN

Phone: +1-281-671-1640
Fax: +1-281-671-1735

SPAIN

Phone: +34-93-652-6430
Fax: +34-93-652-6444

UNITED ARAB EMIRATES

Phone: +971-4-8139-200
Fax: +971-4-8838-038

UNITED KINGDOM

Woodburn Green
Phone: +44-1628-536300
Fax: +44-1628-536319

UNITED STATES

Massachusetts
Phone: +1-508-586-4600
Fax: +1-508-427-8971

Corpus Christi, Texas

Phone: +1-361-881-8182
Fax: +1-361-881-8246

Dresser Direct

Deer Park, Texas

Phone: +1-281-884-1000
Fax: +1-281-884-1010

Dresser Flow Technologies

Houston, Texas

Phone: +1-281-671-1640
Fax: +1-281-671-1735

California

Phone: +1-562-941-7610
Fax: +1-562-941-7810

About Dresser, Inc.

Dresser, Inc. is a leader in providing highly engineered infrastructure products for the global energy industry. The company has leading positions in a broad portfolio of products including valves, actuators, meters, switches, regulators, piping products, natural gas-fueled engines, retail fuel dispensers and associated retail point of sale systems and air and gas handling equipment.

Leading brand names within the Dresser portfolio include Dresser Wayne® retail fueling systems, Waukesha® natural gas-fired engines, Masoneilan® control valves, Mooney® regulators, Consolidated® pressure relief valves, and Roots® blowers and rotary gas meters. It has manufacturing and customer service facilities located strategically worldwide and a sales presence in more than 100 countries. The company's website can be accessed at www.dresser.com.

About Dresser Masoneilan

Headquartered in Houston, Dresser Masoneilan is a leading brand in the Dresser, Inc. portfolio. With a history of innovation and technological leadership that goes back more than 125 years, Dresser Masoneilan delivers flexible, best-fit process control valve solutions with interoperable instrumentation and smart technologies for a wide range of applications and industries. An "open architecture" technology platform offers more product application and operational flexibility. With strategically located manufacturing operations and a worldwide network of service and support facilities, Dresser Masoneilan delivers comprehensive process control solutions and services to a global market.

Dresser Masoneilan

85 Bodwell Street
Avon, MA 02322-1190
Tele: +1 508-586-4600 / Fax: +1 508-941-5497
Email: sales@masoneilan.com

