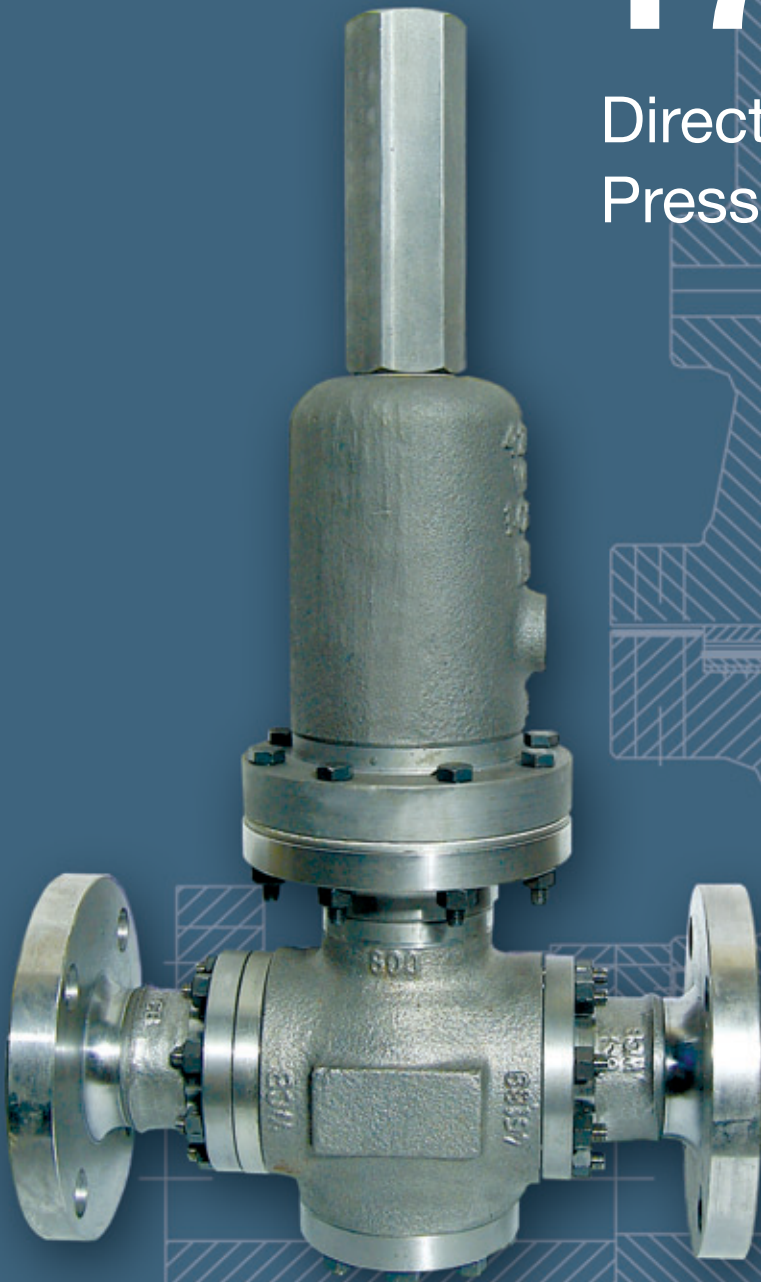


# 172 Series

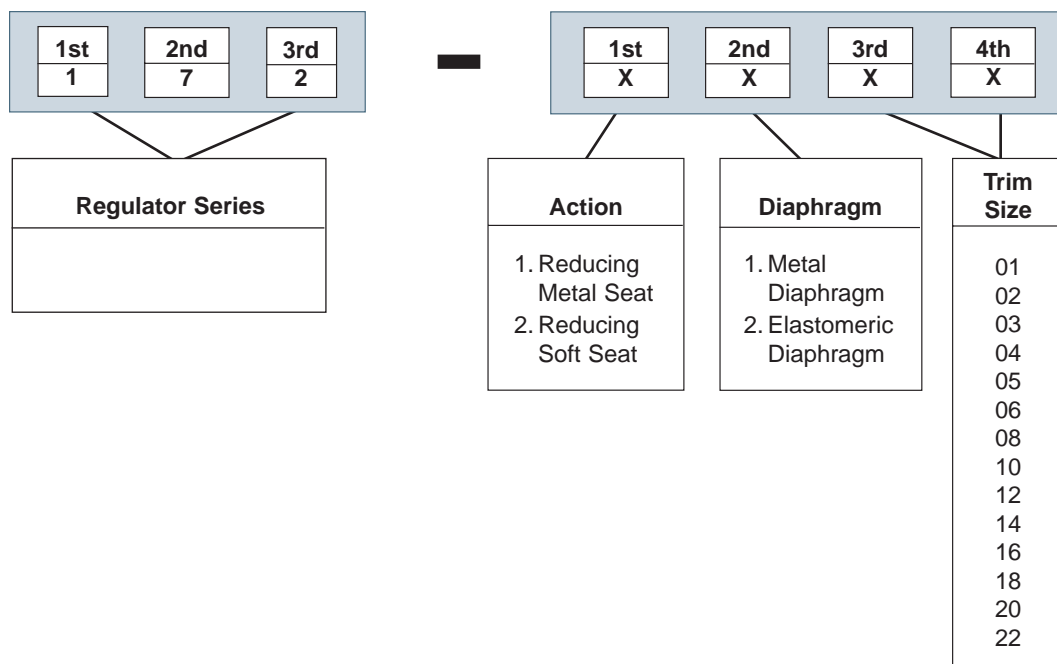
Direct-Operated,  
Pressure Reducing Regulator



## Table of Contents

Numbering System .....	2
Features/Specifications .....	3
Constructions .....	4-5
Dimensions .....	6-7
Set Pressure Ranges .....	8
Materials .....	9
C <sub>v</sub> Ratings .....	10-11
Allowable Pressure Drops .....	12-21
Weights .....	22

## Numbering System



## 172 Series: Threaded or Flanged Connections Carbon Steel, Stainless Steel & Alloy Construction

The 172 series are, direct-operated, pressure reducing regulators. They are available in 1/2 through 2 inch (DN15 through DN50) body sizes and can be supplied with a wide range of different end connections. The flanged design provides flexibility to meet custom face to face dimensions as required. The regulators have a compact design and durable construction to sustain rugged use.

### Features

- Versatility
- In-line maintenance
- High stability
- Rugged construction



### Specifications

#### Body

##### *Body Sizes and End Connections*

- see table 1

##### *Maximum Inlet Pressure*

- see table 4

##### *Maximum Outlet Pressure*

- see table 2

##### *Set Point Range*

- see table 2

##### *Materials of Construction*

- see table 3

##### *Temperature Range*

- see tables 3, 7, 8

##### *Pressure Sensing*

- internal (external on request)

##### *Capacities*

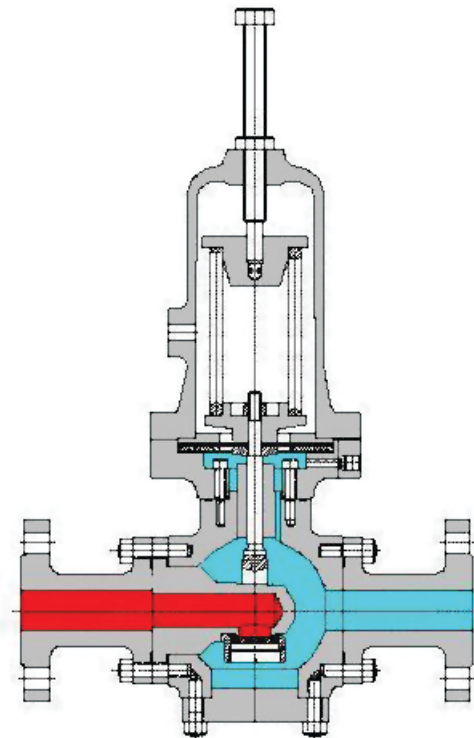
- see tables 5, 6

##### *Allowable Pressure Drop*

- see tables 9-13 English units,  
14-18 Metric units

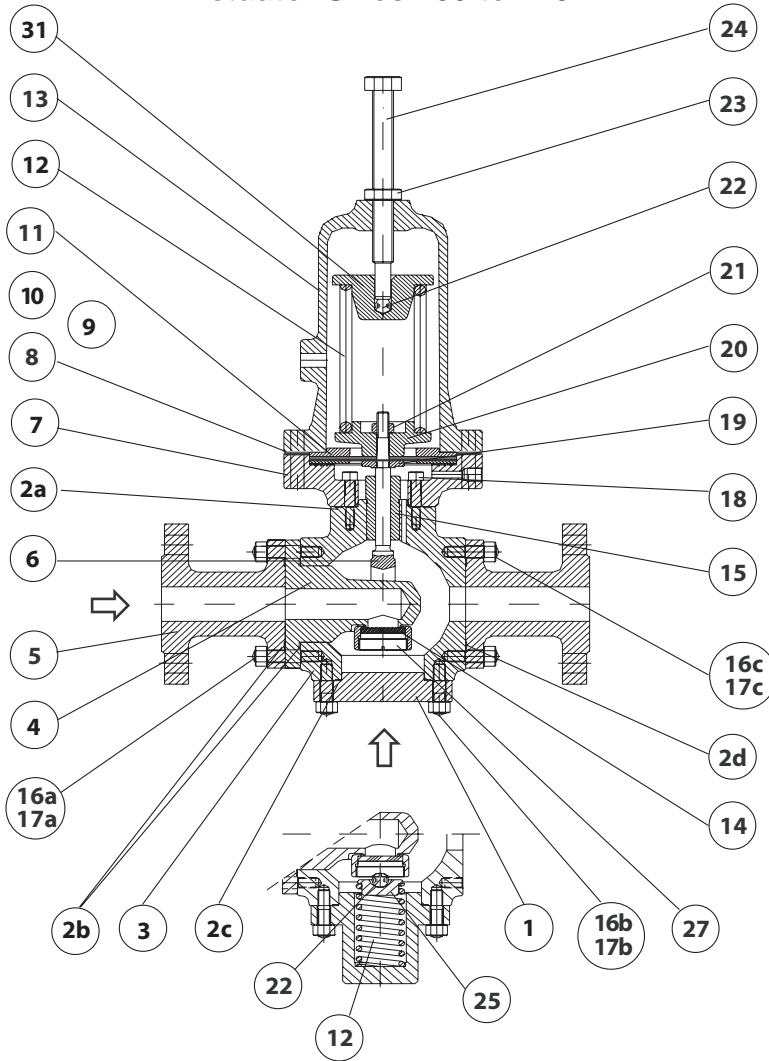
##### *Weight*

- see tables 19, 20



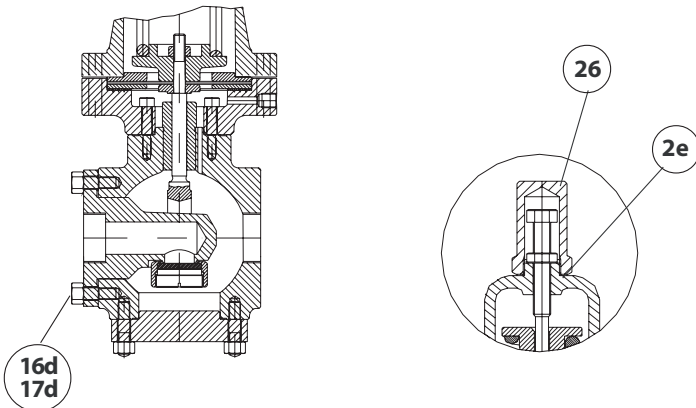
# Constructions

## Actuator Sizes 100 to 140



Materials			
1	Blindhead	15	Guide
2	(a,b,c,d,e) Gasket Set	16	(a,b,c,d) Nut
3	Body	17	(a,b,c,d) Stud
4	H.P. Insert	18	Screw
5	Inlet Flange	19	Diaphragm Plate (lower)
6	Plug	20	Spring Button (lower)
7	Actuator Diaphragm Case	21	Nut
8	Diaphragm	22	Ball
9	Protection	23	Adjusting Screw Locknut
10	O-Ring	24	Adjusting Screw
11	Diaphragm Plate (upper)	25	Ball Seat
12	Spring	26	Seal Cap
13	Spring Case	27	Plug Screw
14	Disc	31	Spring Button (upper)

## Flanged Construction

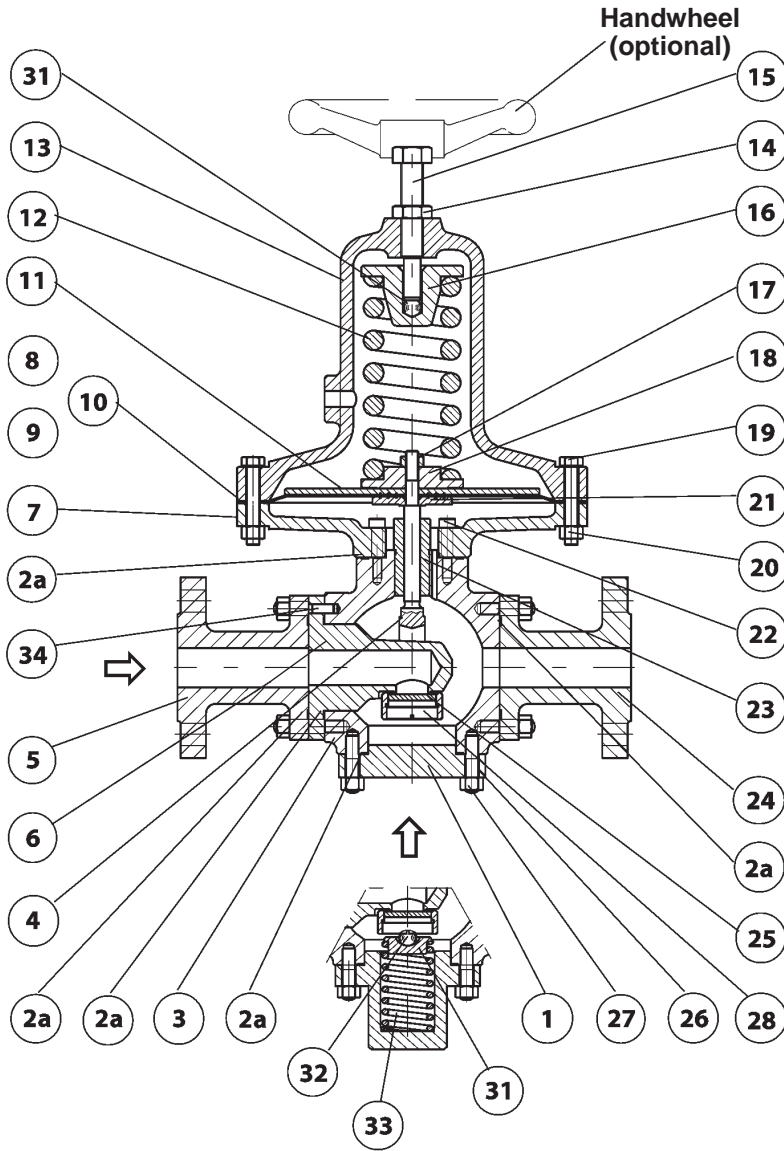


Threaded Construction

Optional Sealed Cap

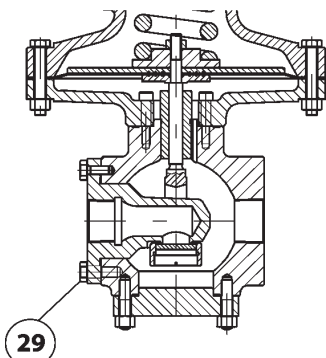
# Constructions

## Actuator Size 220



Materials			
1	Blindhead	18	Spring Button (lower)
2	Gaskets Set	19	Screw
3	Body	20	Nut
4	Plug	21	Diaphragm Plate (lower)
5	Inlet Flange	22	Screw
6	H.P. Insert	23	Guide
7	Actuator Diaphragm Case	24	Outlet Flange
8	Diaphragm	25	Disc
9	Protection (Option)	26	Stud
10	O-Ring	27	Nut
11	Diaphragm Plate (upper)	28	Plug Screw
12	Spring	29	Screw
13	Spring Case	31	Ball Seat
14	Adjusting Screw Locknut	32	Ball
15	Adjusting Screw	33	Spring
16	Spring Button (upper)	34	Pin
17	Nut		

## Flanged Construction



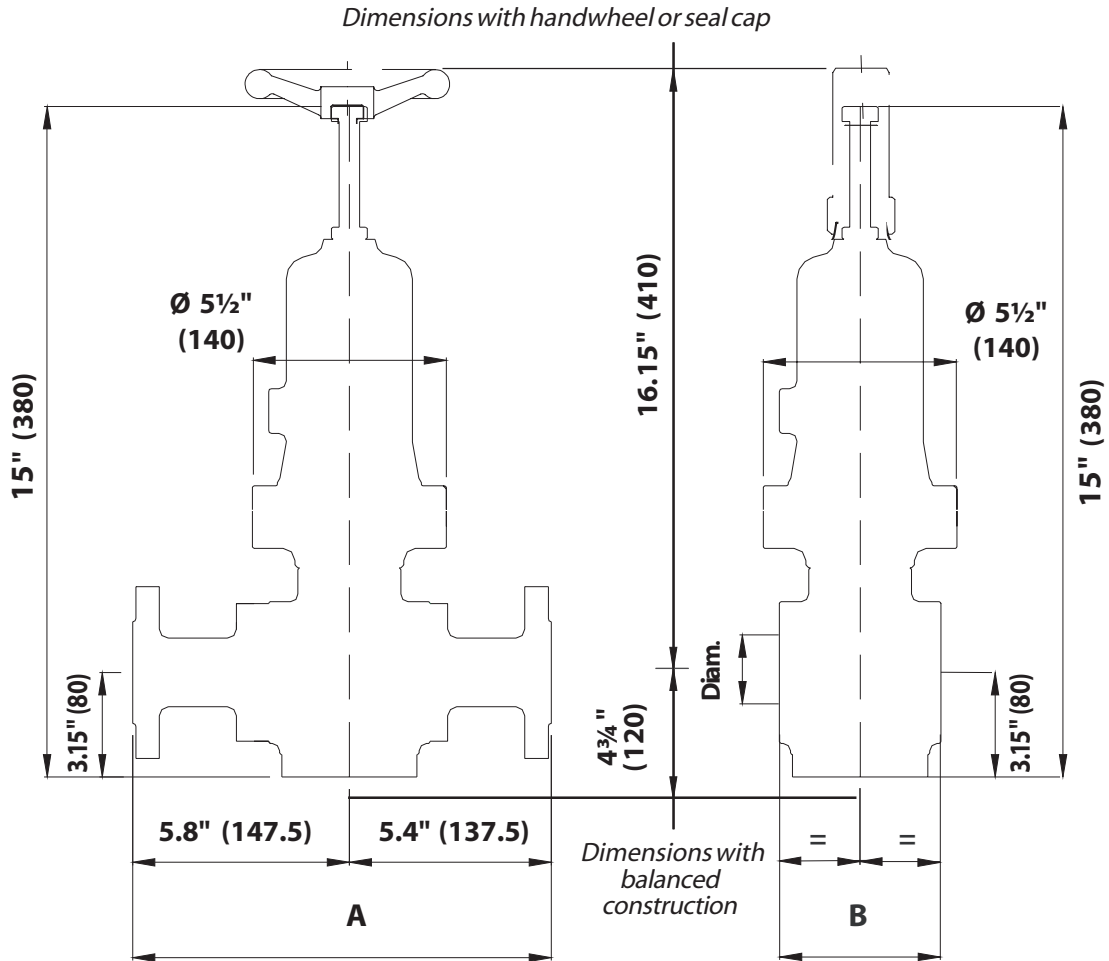
## Threaded Construction

# Dimensions

## Actuator Sizes 100 to 140

### Flanged End Construction

### Threaded End Construction



**Table 1 - Body Sizes and Face-to-Face Dimensions**

DN	Flanged		Threaded
	PN 16	ANSI 150RF	NPT-F
	PN 25	ANSI 300RF	GAS-F Con.
	PN 40	ANSI 600RF	BSP-F
	A		B
1/2" (DN15)	11 1/4" (285mm)	11 1/4" (285mm)	5 1/8" (130mm)
3/4" (DN20)	11 1/4" (285mm)	11 1/4" (285mm)	5 1/8" (130mm)
1" (DN25)	11 1/4" (285mm)	11 1/4" (285mm)	5 1/8" (130mm)
1 1/2" (DN40)	11 1/4" (285mm)	11 1/4" (285mm)	5 1/8" (130mm)
2" (DN50)	11 1/4" (285mm)	11 1/4" (285mm)	N.A.

\* Special face-to-face dimensions available on request

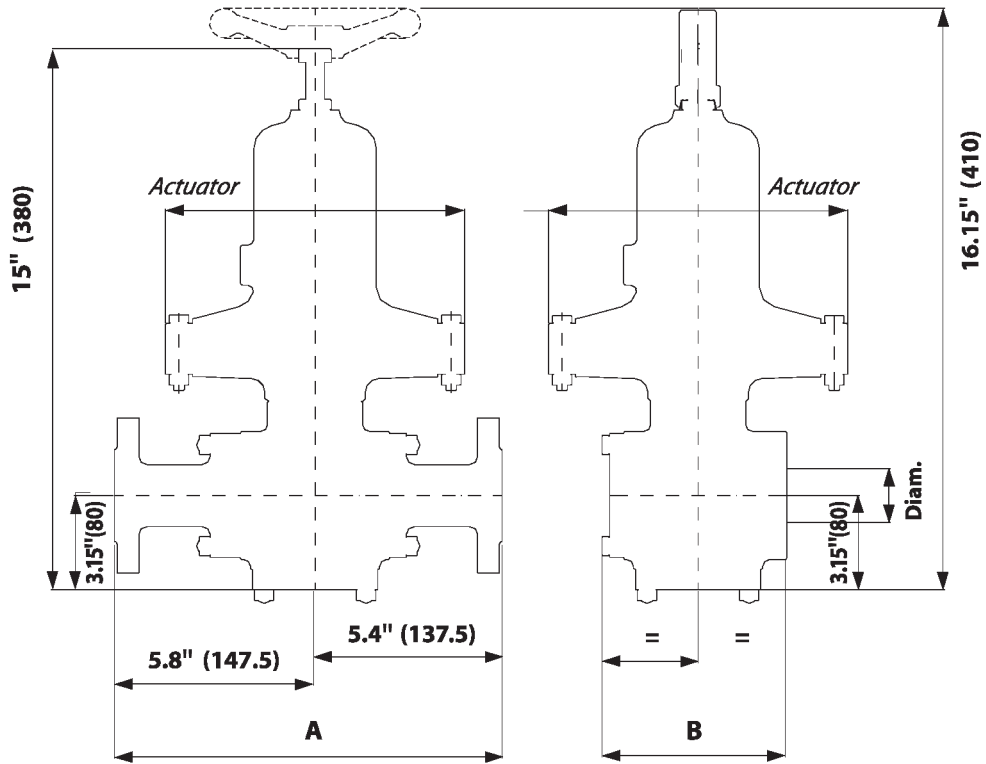
# Dimensions

## Actuator Size 220

Flanged End Construction

Threaded End Construction

*Dimensions with handwheel or seal cap*



**Table 1 - Body Sizes and Face-to-Face Dimensions**

DN	Flanged		Threaded
	PN 16	ANSI 150RF	NPT-F
	PN 25	ANSI 300RF	GAS-F Con.
	PN 40	ANSI 600RF	BSP-F
	A		B
1/2" (DN15)	11 1/4" (285mm)	11 1/4" (285mm)	5 1/8" (130mm)
3/4" (DN20)	11 1/4" (285mm)	11 1/4" (285mm)	5 1/8" (130mm)
1" (DN25)	11 1/4" (285mm)	11 1/4" (285mm)	5 1/8" (130mm)
1 1/2" (DN40)	11 1/4" (285mm)	11 1/4" (285mm)	5 1/8" (130mm)
2" (DN50)	11 1/4" (285mm)	11 1/4" (285mm)	N.A.

\* Special face-to-face dimensions available on request

## Set Pressure Ranges

Table 2 - Standard Set Pressure Ranges			
psig	barg	Actuator Size	Maximum Outlet Pressure
1.36 to 1.80	0.094 to 0.12	220	42 psig (2.9 barg)
1.54 to 3.0	0.106 to 0.20		
1.84 to 3.4	0.127 to 0.24		
2.1 to 5.4	0.144 to 0.37		
3.8 to 8.7	0.26 to 0.60		
5.8 to 13.4	0.40 to 0.93		
8.4 to 14.3	0.58 to 0.99		
13 to 21	0.89 to 1.5		
16 to 24	1.1 to 1.6		
20 to 26	1.4 to 1.8		
23 to 39	1.6 to 2.7	140	145 psig (10 barg)
10 to 19	0.7 to 1.3		
16 to 31	1.1 to 2.1		
23 to 47	1.6 to 3.3		
32 to 50	2.2 to 3.5		
48 to 75	3.3 to 5.2		
60 to 83	4.1 to 5.7		
74 to 91	5.1 to 6.3		
82 to 133	5.7 to 9.2	130	362 psig (25 barg)
25 to 44	1.7 to 3.0		
39 to 74	2.7 to 4.9		
55 to 110	3.8 to 7.6		
76 to 116	5.2 to 8.0		
113 to 175	7.8 to 12.1		
141 to 192	9.7 to 13.2		
174 to 211	12.0 to 14.5		
193 to 320	13.3 to 22.1	120	470 psig (32.4 barg)
37 to 59	2.6 to 4.1		
56 to 95	3.8 to 6.6		
77 to 147	5.3 to 10.1		
105 to 156	7.3 to 10.8		
156 to 235	10.8 to 16.2		
193 to 258	13.3 to 17.8		
238 to 283	16.4 to 19.5		
263 to 428	18.1 to 29.5	100	754 psig (52 barg)
65 to 126	4.5 to 8.7		
105 to 203	7.2 to 14.0		
151 to 314	10.4 to 21.6		
211 to 334	14.6 to 23.0		
319 to 502	22.0 to 34.6		
397 to 550	27.4 to 37.9		
494 to 604	34.1 to 41.7		
548 to 667	37.8 to 46.0		

 Represents Standard Spring Ranges. Others are Optional, Provided Upon Request.



# Materials

**Table 3 - Standard Material Combinations**

Body				
	Carbon Steel*	Full Carbon Steel***	316 SS*	Full 316 SS***
	32° F < T < 392° F	-20° F < T < 392° F	-20° F < T < 392° F	-320.8° F < T < 392° F
	(0° C < T < 200° C)	(-29° C < T < 200° C)	(-29° C < T < 200° C)	(-196° C < T < 200° C)
<b>Body</b>	Carbon Steel	Carbon Steel	316 SS	316 SS
<b>Blindhead</b>	Carbon Steel	Carbon Steel	316 SS	316 SS
<b>Gasket</b>	P T F E	P T F E	P T F E	P T F E
Trim				
<b>Seat</b>	316 SS	316 SS	316 SS	316 SS
<b>Disc</b>	See table 7	See table 7	See table 7	See table 7
<b>Plug Stem</b>	316 SS	316 SS	316 SS	316 SS
<b>Guide Bushing</b>	304 SS / 17-4PH	304 SS / 17-4PH	304 SS / Nitronic 60	304 SS / Nitronic 60
Actuator				
<b>Spring Case</b>	Cast Iron	Carbon Steel	Carbon Steel	316 SS
<b>Diaphragm Case</b>	Carbon Steel	Carbon Steel	316 SS	316 SS
<b>Spring</b>	CrV Steel	CrV Steel	CrV Steel	316 SS
<b>Diaphragm</b>	See table 8			
Special constructions are available in LCB, WCC (N.A.C.E.), 316L, 317, Duplex, Superduplex, Monel, Hastelloy B/C				

### Configurations/Material Availability

*	Standard - Except Steam Service
***	Non Standard - Manufactured on Request

## C<sub>v</sub> Ratings

**Table 4 - Maximum Inlet Pressures**

Body Material	End Connection	Maximum Inlet Pressure
<b>Carbon Steel (All Sizes)</b>	ANSI 150RF	296 psig (20.4 barg)
	ANSI 300RF	750 psig (51.7 barg)
	ANSI 600RF	1500 psig (103.4 barg)
<b>Stainless Steel (All Sizes)</b>	ANSI 150RF	284 psig (19.6 barg)
	ANSI 300RF	720 psig (49.6 barg)
	ANSI 600RF	1440 psig (99.3 barg)
<b>Carbon and Stainless Steel</b>	NPT 1/2" to 1" (DN15 to DN25)	4061 psig (280 barg)
	NPT 1 1/2" (DN40)	1392 psig (96 barg)

**Table 5 - Rated C<sub>v</sub> for All Body Sizes with Elastomer Diaphragm**

Trim Number	Body Size				
	1/2" (DN15)	3/4" (DN20)	1" (DN25)	1 1/2" (DN40)	2" (DN25)
1	0.033	0.033	0.033	0.033	0.033
2	0.15	0.15	0.15	0.15	0.15
3	0.32	0.32	0.32	0.32	0.32
4	0.59	0.59	0.59	0.59	0.59
5	1.0	1.0	1.0	1.0	1.0
6	1.4	1.4	1.4	1.4	1.4
8	2.1	2.1	2.1	2.3	2.3
10	3	3.1	3.3	3.5	3.5
12	4	4.1	4.4	4.7	4.7
14		5.3	5.6	6.0	6.0
16		5.8	6.0	7.9	7.9
18			7.0	9.2	9.2
20				10.4	10.4
22				12.8	12.8

## C<sub>v</sub> Ratings

**Table 6 - Rated C<sub>v</sub> for All Body Sizes with Metal Diaphragm**

Trim Number	Body Size				
	1/2" (DN15)	3/4" (DN20)	1" (DN25)	1 1/2" (DN40)	2" (DN25)
1	0.033	0.033	0.033	0.033	0.033
2	0.15	0.15	0.15	0.15	0.15
3	0.22	0.22	0.22	0.22	0.22
4	0.39	0.39	0.39	0.39	0.39
5	.43	.43	.43	.43	.43
6	1.0	1.0	1.0	1.0	1.0
8	1.16	1.16	1.16	1.16	1.16
10	1.9	1.9	1.9	1.9	1.9
12	2	2	2	2	2
14		2.4	2.4	2.4	2.4
16		2.7	2.7	2.7	2.7
18			3.0	3.0	3.0
20				4.3	4.3
22				4.3	4.3

**Table 7 - Temperature Ranges and Pressure Limits for Disc Elastomers**

	Minimum Temperature		Maximum Temperature		Maximum Pressure	
	°C	°F	°C	°F	barg	psig
<b>Fluorocarbon (FKM-FPM)*</b>	-10	14	200	392	40	580
<b>Polytetrafluoroethylene (PTFE)***</b>	-200	-328	250	482	200	2900
<b>AISI 316**</b>	-196	-321	455	851	280	4060

**Table 8 - Temperature Ranges for Diaphragms**

Material	Minimum Temperature		Maximum Temperature	
	°C	°F	°C	°F
<b>Chloroprene (CR)*</b>	-20	-4	90	194
<b>Fluorocarbon (FKM-FPM) + polyester***</b>	-10	14	150	302
<b>Fluorocarbon (FKM-FPM) + polyarylamide***</b>	-10	14	200	392
<b>Ethylene-Propylene (EPDM)**</b>	-35	-31	150	302
<b>AISI 316**</b>	-196	-320.8	455	851

Special diaphragms are available in NBR (nitrile butadiene, Buna-N or equivalent), HNBR (hydrogenated nitrile), VMQ (silicone), FVMQ (fluorosilicone), TFE/P (Aflas or equivalent)

**Configurations/Material Availability**

*	Standard - Except Steam Service
**	Steam Service
***	Non Standard - Manufactured on Request

# Allowable Pressure Drops

## Room Temperature

Table 9 - Maximum Allowable Pressure Drop, (Actuator Size 100)									
Trim Number	Set Pressure (psig)								
	65	141	216	292	367	442	518	595	667
1	3996	3920	3845	3770	3694	3619	3543	3466	3329
2	3996	3920	3845	3770	3694	3619	3543	3466	3329
3	3996	3920	3845	3770	3694	3619	3543	3466	3329
4	2519	3920	3845	3770	3694	3619	3543	3466	3329
5	1612	3475	3698	3698	3694	3619	3543	3466	3329
6	1120	2413	2567	2567	2567	2567	2567	2567	3329
8	630	1357	1436	1436	1436	1436	1436	1436	3329
10	403	869	914	914	914	914	914	914	3329
12	280	603	638	638	638	638	638	638	2828
14	206	443	464	464	464	464	464	464	2074
16	157	339	363	363	363	363	363	363	1581
18	124	268	276	276	276	276	276	276	1247
20	101	217	232	232	232	232	232	232	1015
22	83	179	189	189	189	189	189	189	827

## T = 302° F

Trim Number	Set Pressure (psig)								
	65	141	216	292	367	442	518	595	667
1	3082	3007	2931	3118	2780	2705	2630	2553	2415
2	3082	3007	2931	3118	2780	2705	2630	2553	2415
3	3082	3007	2931	1952	2780	2705	2630	2553	2415
4	2519	3007	2931	1098	2780	2705	2630	2553	2415
5	1612	2886	2886	703	2780	2705	2630	2553	2415
6	1120	2002	2002	488	2002	2002	2002	2002	2415
8	630	1117	1117	275	1117	1117	1117	1117	2415
10	403	711	711	176	711	711	711	711	2415
12	280	493	493	122	493	493	493	493	2415
14	206	363	363	90	363	363	363	363	2074
16	157	276	276	69	276	276	276	276	1581
18	124	218	218	54	218	218	218	218	1247
20	101	174	174	44	174	174	174	174	1015
22	83	145	145	36	145	145	145	145	827

## T = 572° F

Trim Number	Set Pressure (psig)								
	65	141	216	292	367	442	518	595	667
1	2531	2455	2380	2305	2229	2154	2078	2132	2002
2	2531	2455	2380	2305	2229	2154	2078	2132	2002
3	2531	2455	2380	2305	2229	2154	2078	2132	2002
4	2519	2455	2380	2305	2229	2154	2078	2132	2002
5	1612	2364	2364	2305	2229	2154	2078	2132	2002
6	1120	1639	1639	1639	1639	1639	1639	2132	2002
8	630	914	914	914	914	914	914	2132	914
10	403	595	595	595	595	595	595	2132	595
12	280	406	406	406	406	406	406	1952	406
14	206	305	305	305	305	305	305	1434	305
16	157	232	232	232	232	232	232	1098	232
18	124	174	174	174	174	174	174	868	174
20	101	145	145	145	145	145	145	703	145
22	83	116	116	116	116	116	116	581	116

# Allowable Pressure Drops

## Room Temperature

Table 10 - Maximum Allowable Pressure Drop, (Actuator Size 120)									
Trim Number	Set Pressure (psig)								
	37	87	136	186	235	284	334	383	428
1	4023	3974	3925	3875	3826	3777	3727	3678	3633
2	4023	3974	3925	3875	3826	3777	3727	3678	3633
3	4023	3974	3925	3875	3826	3777	3727	3678	3633
4	3061	3974	3925	3875	3826	3777	3727	3678	3633
5	1959	3698	3698	3698	3698	3698	3698	3678	3633
6	1360	2567	2567	2567	2567	2567	2567	2567	2567
8	765	1436	1436	1436	1436	1436	1436	1436	1436
10	490	914	914	914	914	914	914	914	914
12	340	638	638	638	638	638	638	638	638
14	250	464	464	464	464	464	464	464	464
16	191	363	363	363	363	363	363	363	363
18	151	276	276	276	276	276	276	276	276
20	122	232	232	232	232	232	232	232	232
22	101	189	189	189	189	189	189	189	189

## T = 302° F

Trim Number	Set Pressure (psig)								
	37	87	136	186	235	284	334	383	428
1	3110	3060	3011	2962	2912	2863	2814	2764	2719
2	3110	3060	3011	2962	2912	2863	2814	2764	2719
3	3110	3060	3011	2962	2912	2863	2814	2764	2719
4	3061	3060	3011	2962	2912	2863	2814	2764	2719
5	1959	2886	2886	2886	2886	2863	2814	2764	2719
6	1360	2002	2002	2002	2002	2002	2002	2002	2002
8	765	1117	1117	1117	1117	1117	1117	1117	1117
10	490	711	711	711	711	711	711	711	711
12	340	493	493	493	493	493	493	493	493
14	250	363	363	363	363	363	363	363	363
16	191	276	276	276	276	276	276	276	276
18	151	218	218	218	218	218	218	218	218
20	122	174	174	174	174	174	174	174	174
22	101	145	145	145	145	145	145	145	145

## T = 572° F

Trim Number	Set Pressure (psig)								
	37	87	136	186	235	284	334	383	428
1	2558	2509	2460	2411	2361	2312	2263	2213	2168
2	2558	2509	2460	2411	2361	2312	2263	2213	2168
3	2558	2509	2460	2411	2361	2312	2263	2213	2168
4	2558	2509	2460	2411	2361	2312	2263	2213	2168
5	1959	2364	2364	2364	2361	2312	2263	2213	2168
6	1360	1639	1639	1639	1639	1639	1639	1639	1639
8	765	914	914	914	914	914	914	914	914
10	490	595	595	595	595	595	595	595	595
12	340	406	406	406	406	406	406	406	406
14	250	305	305	305	305	305	305	305	305
16	191	232	232	232	232	232	232	232	232
18	151	174	174	174	174	174	174	174	174
20	122	145	145	145	145	145	145	145	145
22	101	116	116	116	116	116	116	116	116

# Allowable Pressure Drops

## Room Temperature

Table 11 - Maximum Allowable Pressure Drop, (Actuator Size 130)									
Trim Number	Set Pressure (psig)								
	25	61	97	133	170	207	245	283	320
1	4036	4000	3964	3928	3891	3854	3816	3778	3741
2	4036	4000	3964	3928	3891	3854	3816	3778	3741
3	4036	4000	3964	3928	3891	3854	3816	3778	3741
4	2727	4000	3964	3928	3891	3854	3816	3778	3741
5	1745	3698	3964	3928	3698	3698	3698	3698	3698
6	1212	2567	2567	2567	2567	2567	2567	2567	2567
8	682	1436	1436	1436	1436	1436	1436	1436	1436
10	436	914	914	914	914	914	914	914	914
12	303	638	638	638	638	638	638	638	638
14	223	464	464	464	464	464	464	464	464
16	170	363	363	363	363	363	363	363	363
18	135	276	276	276	276	276	276	276	276
20	109	232	232	232	232	232	232	232	232
22	90	189	189	189	189	189	189	189	189

## T = 302° F

Trim Number	Set Pressure (psig)								
	25	61	97	133	170	207	245	283	320
1	3123	3086	3050	3014	2978	2940	2902	2864	2827
2	3123	3086	3050	3014	2978	2940	2902	2864	2827
3	3123	3086	3050	3014	2978	2940	2902	2864	2827
4	2727	3086	3050	3014	2978	2940	2902	2864	2827
5	1745	2886	2886	2886	2886	2886	2886	2864	2827
6	1212	2002	2002	2002	2002	2002	2002	2002	2002
8	682	1117	1117	1117	1117	1117	1117	1117	1117
10	436	711	711	711	711	711	711	711	711
12	303	493	493	493	493	493	493	493	493
14	223	363	363	363	363	363	363	363	363
16	170	276	276	276	276	276	276	276	276
18	135	218	218	218	218	218	218	218	218
20	109	174	174	174	174	174	174	174	174
22	90	145	145	145	145	145	145	145	145

## T = 572° F

Trim Number	Set Pressure (psig)								
	25	61	97	133	170	207	245	283	320
1	2572	2535	2499	2463	2426	2389	2351	2313	2276
2	2572	2535	2499	2463	2426	2389	2351	2313	2276
3	2572	2535	2499	2463	2426	2389	2351	2313	2276
4	2572	2535	2499	2463	2426	2389	2351	2313	2276
5	1745	2364	2364	2364	2364	2364	2351	2313	2276
6	1212	1639	1639	1639	1639	1639	1639	1639	1639
8	682	914	914	914	914	914	914	914	914
10	436	595	595	595	595	595	595	595	595
12	303	406	406	406	406	406	406	406	406
14	223	305	305	305	305	305	305	305	305
16	170	232	232	232	232	232	232	232	232
18	135	174	174	174	174	174	174	174	174
20	109	145	145	145	145	145	145	145	145
22	90	116	116	116	116	116	116	116	116

# Allowable Pressure Drops

## Room Temperature

Table 12 - Maximum Allowable Pressure Drop, (Actuator Size 140)									
Trim Number	Set Pressure (psig)								
	10	25	39	54	68	84	100	116	133
1	4051	4036	4022	4007	3993	3977	3961	3945	3928
2	4051	4036	4022	4007	3993	3977	3961	3945	3928
3	4051	4036	4022	4007	3993	3977	3961	3945	3928
4	2606	4036	4022	4007	3993	3977	3961	3945	3928
5	1668	3698	3698	3698	3698	3698	3698	3698	3698
6	1158	2567	2567	2567	2567	2567	2567	2567	2567
8	651	1436	1436	1436	1436	1436	1436	1436	1436
10	417	914	914	914	914	914	914	914	914
12	290	638	638	638	638	638	638	638	638
14	213	464	464	464	464	464	464	464	464
16	163	363	363	363	363	363	363	363	363
18	129	276	276	276	276	276	276	276	276
20	104	232	232	232	232	232	232	232	232
22	86	189	189	189	189	189	189	189	189

## T = 302° F

Trim Number	Set Pressure (psig)								
	10	25	39	54	68	84	100	116	133
1	3137	3123	3108	3094	3079	3063	3047	3031	3014
2	3137	3123	3108	3094	3079	3063	3047	3031	3014
3	3137	3123	3108	3094	3079	3063	3047	3031	3014
4	2606	3123	3108	3094	3079	3063	3047	3031	3014
5	1668	2886	2886	2886	2886	2886	2886	2886	2886
6	1158	2002	2002	2002	2002	2002	2002	2002	2002
8	651	1117	1117	1117	1117	1117	1117	1117	1117
10	417	711	711	711	711	711	711	711	711
12	290	493	493	493	493	493	493	493	493
14	213	363	363	363	363	363	363	363	363
16	163	276	276	276	276	276	276	276	276
18	129	218	218	218	218	218	218	218	218
20	104	174	174	174	174	174	174	174	174
22	86	145	145	145	145	145	145	145	145

## T = 572° F

Trim Number	Set Pressure (psig)								
	10	25	39	54	68	84	100	116	133
1	2586	2572	2557	2543	2528	2512	2496	2480	2463
2	2586	2572	2557	2543	2528	2512	2496	2480	2463
3	2586	2572	2557	2543	2528	2512	2496	2480	2463
4	2586	2572	2557	2543	2528	2512	2496	2480	2463
5	1668	2364	2364	2364	2364	2364	2364	2364	2364
6	1158	1639	1639	1639	1639	1639	1639	1639	1639
8	651	914	914	914	914	914	914	914	914
10	417	595	595	595	595	595	595	595	595
12	290	406	406	406	406	406	406	406	406
14	213	305	305	305	305	305	305	305	305
16	163	232	232	232	232	232	232	232	232
18	129	174	174	174	174	174	174	174	174
20	104	145	145	145	145	145	145	145	145
22	86	116	116	116	116	116	116	116	116

# Allowable Pressure Drops

## Room Temperature

Table 13 - Maximum Allowable Pressure Drop, (Actuator Size 220)									
Trim Number	Set Pressure (psig)								
	1.36	5.8	10.2	14.5	18.9	23.2	27.6	33.4	39.2
1	4060	4055	4051	4047	4042	4038	4033	4028	4022
2	4060	4055	4051	4047	4042	4038	4033	4028	4022
3	2184	4055	4051	4047	4042	4038	4033	4028	4022
4	1229	4055	4051	4047	4042	4038	4033	4028	4022
5	786	3346	3698	3698	3698	3698	3698	3698	3698
6	546	2324	2567	2567	2567	2567	2567	2567	2567
8	307	1307	1436	1436	1436	1436	1436	1436	1436
10	197	837	914	914	914	914	914	914	914
12	137	581	638	638	638	638	638	638	638
14	100	427	464	464	464	464	464	464	464
16	77	327	363	363	363	363	363	363	363
18	61	258	276	276	276	276	276	276	276
20	49	209	232	232	232	232	232	232	232
22	41	173	189	189	189	189	189	189	189

## T = 302° F

Trim Number	Set Pressure (psig)								
	1.36	5.8	10.2	14.5	18.9	23.2	27.6	33.4	39.2
1	3146	3142	3137	3133	3128	3124	3120	3114	3108
2	3146	3142	3137	3133	3128	3124	3120	3114	3108
3	2184	3142	3137	3133	3128	3124	3120	3114	3108
4	1229	3142	3137	3133	3128	3124	3120	3114	3108
5	786	2886	2886	2886	2886	2886	2886	2886	2886
6	546	2002	2002	2002	2002	2002	2002	2002	2002
8	307	1117	1117	1117	1117	1117	1117	1117	1117
10	197	711	711	711	711	711	711	711	711
12	137	493	493	493	493	493	493	493	493
14	100	363	363	363	363	363	363	363	363
16	77	276	276	276	276	276	276	276	276
18	61	218	218	218	218	218	218	218	218
20	49	174	174	174	174	174	174	174	174
22	41	145	145	145	145	145	145	145	145

## T = 572° F

Trim Number	Set Pressure (psig)								
	1.36	5.8	10.2	14.5	18.9	23.2	27.6	33.4	39.2
1	2595	2590	2586	2582	2577	2573	2569	2563	2557
2	2595	2590	2586	2582	2577	2573	2569	2563	2557
3	2184	2590	2586	2582	2577	2573	2569	2563	2557
4	1229	2590	2586	2582	2577	2573	2569	2563	2557
5	786	2364	2364	2364	2364	2364	2364	2364	2364
6	546	1639	1639	1639	1639	1639	1639	1639	1639
8	307	914	914	914	914	914	914	914	914
10	197	595	595	595	595	595	595	595	595
12	137	406	406	406	406	406	406	406	406
14	100	305	305	305	305	305	305	305	305
16	77	232	232	232	232	232	232	232	232
18	61	174	174	174	174	174	174	174	174
20	49	145	145	145	145	145	145	145	145
22	41	116	116	116	116	116	116	116	116



# Allowable Pressure Drops

## Room Temperature

Table 14 - Maximum Allowable Pressure Drop, (Actuator Size 100)									
Trim Number	Set Pressure (barg)								
	4.5	9.7	14.9	20.1	25.3	30.5	35.7	41	46
1	275.5	270.3	265.1	259.9	254.7	249.5	244.3	239.0	229.5
2	275.5	270.3	265.1	259.9	254.7	249.5	244.3	239.0	229.5
3	275.5	270.3	265.1	259.9	254.7	249.5	244.3	239.0	229.5
4	173.7	270.3	265.1	259.9	254.7	249.5	244.3	239.0	229.5
5	111.2	239.6	255.0	255.0	254.7	249.5	244.3	239.0	229.5
6	77.2	166.4	177.0	177.0	177.0	177.0	177.0	177.0	229.5
8	43.4	93.6	99.0	99.0	99.0	99.0	99.0	99.0	229.5
10	27.8	59.9	63.0	63.0	63.0	63.0	63.0	63.0	229.5
12	19.3	41.6	44.0	44.0	44.0	44.0	44.0	44.0	195
14	14.2	30.6	32.0	32.0	32.0	32.0	32.0	32.0	143
16	10.9	23.4	25.0	25.0	25.0	25.0	25.0	25.0	109
18	8.6	18.5	19.0	19.0	19.0	19.0	19.0	19.0	86
20	6.9	15.0	16.0	16.0	16.0	16.0	16.0	16.0	70
22	5.7	12.4	13.0	13.0	13.0	13.0	13.0	13.0	57

## T = 150° C

Trim Number	Set Pressure (barg)								
	4.5	9.7	14.9	20.1	25.3	30.5	35.7	41	46
1	212.5	207.3	202.1	215.0	191.7	186.5	181.3	176.0	166.5
2	212.5	207.3	202.1	215.0	191.7	186.5	181.3	176.0	166.5
3	212.5	207.3	202.1	134.6	191.7	186.5	181.3	176.0	166.5
4	173.7	207.3	202.1	75.7	191.7	186.5	181.3	176.0	166.5
5	111.2	199.0	199.0	48.5	191.7	186.5	181.3	176.0	166.5
6	77.2	138.0	138.0	33.7	138.0	138.0	138.0	138.0	166.5
8	43.4	77.0	77.0	18.9	77.0	77.0	77.0	77.0	166.5
10	27.8	49.0	49.0	12.1	49.0	49.0	49.0	49.0	166.5
12	19.3	34.0	34.0	8.4	34.0	34.0	34.0	34.0	166.5
14	14.2	25.0	25.0	6.2	25.0	25.0	25.0	25.0	143
16	10.9	19.0	19.0	4.7	19.0	19.0	19.0	19.0	109
18	8.6	15.0	15.0	3.7	15.0	15.0	15.0	15.0	86
20	6.9	12.0	12.0	3.0	12.0	12.0	12.0	12.0	70
22	5.7	10.0	10.0	2.5	10.0	10.0	10.0	10.0	57

## T = 300° C

Trim Number	Set Pressure (barg)								
	4.5	9.7	14.9	20.1	25.3	30.5	35.7	41	46
1	174.5	169.3	164.1	158.9	153.7	148.5	143.3	147.0	138
2	174.5	169.3	164.1	158.9	153.7	148.5	143.3	147.0	138
3	174.5	169.3	164.1	158.9	153.7	148.5	143.3	147.0	138
4	173.7	169.3	164.1	158.9	153.7	148.5	143.3	147.0	138
5	111.2	163.0	163.0	158.9	153.7	148.5	143.3	147.0	138
6	77.2	113.0	113.0	113.0	113.0	113.0	113.0	147.0	113
8	43.4	63.0	63.0	63.0	63.0	63.0	63.0	147.0	63
10	27.8	41.0	41.0	41.0	41.0	41.0	41.0	147.0	41
12	19.3	28.0	28.0	28.0	28.0	28.0	28.0	134.6	28
14	14.2	21.0	21.0	21.0	21.0	21.0	21.0	98.9	21
16	10.9	16.0	16.0	16.0	16.0	16.0	16.0	75.7	16
18	8.6	12.0	12.0	12.0	12.0	12.0	12.0	59.8	12
20	6.9	10.0	10.0	10.0	10.0	10.0	10.0	48.5	10
22	5.7	8.0	8.0	8.0	8.0	8.0	8.0	40.1	8

# Allowable Pressure Drops

## Room Temperature

Table 15 - Maximum Allowable Pressure Drop, (Actuator Size 120)									
Trim Number	Set Pressure (barg)								
	2.6	6	9.4	12.8	16.2	19.6	23	26.4	29.5
1	277.4	274.0	270.6	267.2	263.8	260.4	257.0	253.6	250.5
2	277.4	277.4	270.6	267.2	263.8	260.4	257.0	253.6	250.5
3	277.4	277.4	270.6	267.2	263.8	260.4	257.0	253.6	250.5
4	211.0	270.6	270.6	267.2	263.8	260.4	257.0	253.6	250.5
5	135.1	255.0	255.0	255.0	255.0	255.0	255.0	253.6	250.5
6	93.8	177.0	177.0	177.0	177.0	177.0	177.0	177.0	177.0
8	52.8	99.0	99.0	99.0	99.0	99.0	99.0	99.0	99.0
10	33.8	63.0	63.0	63.0	63.0	63.0	63.0	63.0	63.0
12	23.4	44.0	44.0	44.0	44.0	44.0	44.0	44.0	44.0
14	17.2	32.0	32.0	32.0	32.0	32.0	32.0	32.0	32.0
16	13.2	25.0	25.0	25.0	25.0	25.0	25.0	25.0	25.0
18	10.4	19.0	19.0	19.0	19.0	19.0	19.0	19.0	19.0
20	8.4	16.0	16.0	16.0	16.0	16.0	16.0	16.0	16.0
22	7.0	13.0	13.0	13.0	13.0	13.0	13.0	13.0	13.0

## T = 150° C

Trim Number	Set Pressure (barg)								
	2.6	6	9.4	12.8	16.2	19.6	23	26.4	29.5
1	214.4	211.0	207.6	204.2	200.8	197.4	194.0	190.6	187.5
2	214.4	211.0	207.6	204.2	200.8	197.4	194.0	190.6	187.5
3	214.4	211.0	207.6	204.2	200.8	197.4	194.0	190.6	187.5
4	211.0	211.0	207.6	204.2	200.8	197.4	194.0	190.6	187.5
5	135.1	199.0	199.0	199.0	199.0	197.4	194.0	190.6	187.5
6	93.8	138.0	138.0	138.0	138.0	138.0	138.0	138.0	138.0
8	52.8	77.0	77.0	77.0	77.0	77.0	77.0	77.0	77.0
10	33.8	49.0	49.0	49.0	49.0	49.0	49.0	49.0	49.0
12	23.4	34.0	34.0	34.0	34.0	34.0	34.0	34.0	34.0
14	17.2	25.0	25.0	25.0	25.0	25.0	25.0	25.0	25.0
16	13.2	19.0	19.0	19.0	19.0	19.0	19.0	19.0	19.0
18	10.4	15.0	15.0	15.0	15.0	15.0	15.0	15.0	15.0
20	8.4	12.0	12.0	12.0	12.0	12.0	12.0	12.0	12.0
22	7.0	10.0	10.0	10.0	10.0	10.0	10.0	10.0	10.0

## T = 300° C

Trim Number	Set Pressure (barg)								
	2.6	6	9.4	12.8	16.2	19.6	23	26.4	29.5
1	176.4	173.0	169.6	166.2	162.8	159.4	156.0	152.6	149.5
2	176.4	173.0	169.6	166.2	162.8	159.4	156.0	152.6	149.5
3	176.4	173.0	169.6	166.2	162.8	159.4	156.0	152.6	149.5
4	176.4	173.0	169.6	166.2	162.8	159.4	156.0	152.6	149.5
5	135.1	163.0	163.0	163.0	162.8	159.4	156.0	152.6	149.5
6	93.8	113.0	113.0	113.0	113.0	113.0	113.0	113.0	113.0
8	52.8	63.0	63.0	63.0	63.0	63.0	63.0	63.0	63.0
10	33.8	41.0	41.0	41.0	41.0	41.0	41.0	41.0	41.0
12	23.4	28.0	28.0	28.0	28.0	28.0	28.0	28.0	28.0
14	17.2	21.0	21.0	21.0	21.0	21.0	21.0	21.0	21.0
16	13.2	16.0	16.0	16.0	16.0	16.0	16.0	16.0	16.0
18	10.4	12.0	12.0	12.0	12.0	12.0	12.0	12.0	12.0
20	8.4	10.0	10.0	10.0	10.0	10.0	10.0	10.0	10.0
22	7.0	8.0	8.0	8.0	8.0	8.0	8.0	8.0	8.0

# Allowable Pressure Drops

## Room Temperature

Table 16 - Maximum Allowable Pressure Drop, (Actuator Size 130)									
Trim Number	Set Pressure (barg)								
	1.7	4.2	6.7	9.2	11.7	14.3	16.9	19.5	22.1
1	278.3	275.8	273.3	270.8	268.3	265.7	263.1	260.5	257.9
2	278.3	275.8	273.3	270.8	268.3	265.7	263.1	260.5	257.9
3	278.3	275.8	273.3	270.8	268.3	265.7	263.1	260.5	257.9
4	188.0	275.8	273.3	270.8	268.3	265.7	263.1	260.5	257.9
5	120.3	255.0	255.0	255.0	255.0	255.0	255.0	255.0	255.0
6	83.6	177.0	177.0	177.0	177.0	177.0	177.0	177.0	177.0
8	47.0	99.0	99.0	99.0	99.0	99.0	99.0	99.0	99.0
10	30.1	63.0	63.0	63.0	63.0	63.0	63.0	63.0	63.0
12	20.9	44.0	44.0	44.0	44.0	44.0	44.0	44.0	44.0
14	15.4	32.0	32.0	32.0	32.0	32.0	32.0	32.0	32.0
16	11.8	25.0	25.0	25.0	25.0	25.0	25.0	25.0	25.0
18	9.3	19.0	19.0	19.0	19.0	19.0	19.0	19.0	19.0
20	7.5	16.0	16.0	16.0	16.0	16.0	16.0	16.0	16.0
22	6.2	13.0	13.0	13.0	13.0	13.0	13.0	13.0	13.0

## T = 150° C

Trim Number	Set Pressure (barg)								
	1.7	4.2	6.7	9.2	11.7	14.3	16.9	19.5	22.1
1	215.3	212.8	210.3	207.8	205.3	202.7	200.1	197.5	194.9
2	215.3	212.8	210.3	207.8	205.3	202.7	200.1	197.5	194.9
3	215.3	212.8	210.3	207.8	205.3	202.7	200.1	197.5	194.9
4	188.0	212.8	210.3	207.8	205.3	202.7	200.1	197.5	194.9
5	120.3	199.0	199.0	199.0	199.0	199.0	199.0	197.5	194.9
6	83.6	138.0	138.0	138.0	138.0	138.0	138.0	138.0	138.0
8	47.0	77.0	77.0	77.0	77.0	77.0	77.0	77.0	77.0
10	30.1	49.0	49.0	49.0	49.0	49.0	49.0	49.0	49.0
12	20.9	34.0	34.0	34.0	34.0	34.0	34.0	34.0	34.0
14	15.4	25.0	25.0	25.0	25.0	25.0	25.0	25.0	25.0
16	11.8	19.0	19.0	19.0	19.0	19.0	19.0	19.0	19.0
18	9.3	15.0	15.0	15.0	15.0	15.0	15.0	15.0	15.0
20	7.5	12.0	12.0	12.0	12.0	12.0	12.0	12.0	12.0
22	6.2	10.0	10.0	10.0	10.0	10.0	10.0	10.0	10.0

## T = 300° C

Trim Number	Set Pressure (barg)								
	1.7	4.2	6.7	9.2	11.7	14.3	16.9	19.5	22.1
1	177.3	174.8	172.3	169.8	167.3	164.7	162.1	159.5	156.9
2	177.3	174.8	172.3	169.8	167.3	164.7	162.1	159.5	156.9
3	177.3	174.8	172.3	169.8	167.3	164.7	162.1	159.5	156.9
4	177.3	174.8	172.3	169.8	167.3	164.7	162.1	159.5	156.9
5	120.3	163.0	163.0	163.0	163.0	163.0	162.1	159.5	156.9
6	83.6	113.0	113.0	113.0	113.0	113.0	113.0	113.0	113.0
8	47.0	63.0	63.0	63.0	63.0	63.0	63.0	63.0	63.0
10	30.1	41.0	41.0	41.0	41.0	41.0	41.0	41.0	41.0
12	20.9	28.0	28.0	28.0	28.0	28.0	28.0	28.0	28.0
14	15.4	21.0	21.0	21.0	21.0	21.0	21.0	21.0	21.0
16	11.8	16.0	16.0	16.0	16.0	16.0	16.0	16.0	16.0
18	9.3	12.0	12.0	12.0	12.0	12.0	12.0	12.0	12.0
20	7.5	10.0	10.0	10.0	10.0	10.0	10.0	10.0	10.0
22	6.2	8.0	8.0	8.0	8.0	8.0	8.0	8.0	8.0

# Allowable Pressure Drops

## Room Temperature

Table 17 - Maximum Allowable Pressure Drop, (Actuator Size 140)									
Trim Number	Set Pressure (barg)								
	0.7	1.7	2.7	3.7	4.7	5.8	6.9	8	9.2
1	279.3	278.3	277.3	276.3	275.3	274.2	273.1	272.0	270.8
2	279.3	278.3	277.3	276.3	275.3	274.2	273.1	272.0	270.8
3	279.3	278.3	277.3	276.3	275.3	274.2	273.1	272.0	270.8
4	179.6	278.3	277.3	276.3	275.3	274.2	273.1	272.0	270.8
5	115.0	255.0	255.0	255.0	255.0	255.0	255.0	255.0	255.0
6	79.8	177.0	177.0	177.0	177.0	177.0	177.0	177.0	177.0
8	44.9	99.0	99.0	99.0	99.0	99.0	99.0	99.0	99.0
10	28.7	63.0	63.0	63.0	63.0	63.0	63.0	63.0	63.0
12	20.0	44.0	44.0	44.0	44.0	44.0	44.0	44.0	44.0
14	14.7	32.0	32.0	32.0	32.0	32.0	32.0	32.0	32.0
16	11.2	25.0	25.0	25.0	25.0	25.0	25.0	25.0	25.0
18	8.9	19.0	19.0	19.0	19.0	19.0	19.0	19.0	19.0
20	7.2	16.0	16.0	16.0	16.0	16.0	16.0	16.0	16.0
22	5.9	13.0	13.0	13.0	13.0	13.0	13.0	13.0	13.0

## T = 150° C

Trim Number	Set Pressure (barg)								
	0.7	1.7	2.7	3.7	4.7	5.8	6.9	8	9.2
1	216.3	215.3	214.3	213.3	212.3	211.2	210.1	209.0	207.8
2	216.3	215.3	214.3	213.3	212.3	211.2	210.1	209.0	207.8
3	216.3	215.3	214.3	213.3	212.3	211.2	210.1	209.0	207.8
4	179.6	215.3	214.3	213.3	212.3	211.2	210.1	209.0	207.8
5	115.0	199.0	199.0	199.0	199.0	199.0	199.0	199.0	199.0
6	79.8	138.0	138.0	138.0	138.0	138.0	138.0	138.0	138.0
8	44.9	77.0	77.0	77.0	77.0	77.0	77.0	77.0	77.0
10	28.7	49.0	49.0	49.0	49.0	49.0	49.0	49.0	49.0
12	20.0	34.0	34.0	34.0	34.0	34.0	34.0	34.0	34.0
14	14.7	25.0	25.0	25.0	25.0	25.0	25.0	25.0	25.0
16	11.2	19.0	19.0	19.0	19.0	19.0	19.0	19.0	19.0
18	8.9	15.0	15.0	15.0	15.0	15.0	15.0	15.0	15.0
20	7.2	12.0	12.0	12.0	12.0	12.0	12.0	12.0	12.0
22	5.9	10.0	10.0	10.0	10.0	10.0	10.0	10.0	10.0

## T = 300° C

Trim Number	Set Pressure (barg)								
	0.7	1.7	2.7	3.7	4.7	5.8	6.9	8	9.2
1	178.3	177.3	176.3	175.3	174.3	173.2	172.1	171.0	169.8
2	178.3	177.3	176.3	175.3	174.3	173.2	172.1	171.0	169.8
3	178.3	177.3	176.3	175.3	174.3	173.2	172.1	171.0	169.8
4	178.3	177.3	176.3	175.3	174.3	173.2	172.1	171.0	169.8
5	115.0	163.0	163.0	163.0	163.0	163.0	163.0	163.0	163.0
6	79.8	113.0	113.0	113.0	113.0	113.0	113.0	113.0	113.0
8	44.9	63.0	63.0	63.0	63.0	63.0	63.0	63.0	63.0
10	28.7	41.0	41.0	41.0	41.0	41.0	41.0	41.0	41.0
12	20.0	28.0	28.0	28.0	28.0	28.0	28.0	28.0	28.0
14	14.7	21.0	21.0	21.0	21.0	21.0	21.0	21.0	21.0
16	11.2	16.0	16.0	16.0	16.0	16.0	16.0	16.0	16.0
18	8.9	12.0	12.0	12.0	12.0	12.0	12.0	12.0	12.0
20	7.2	10.0	10.0	10.0	10.0	10.0	10.0	10.0	10.0
22	5.9	8.0	8.0	8.0	8.0	8.0	8.0	8.0	8.0

# Allowable Pressure Drops

## Room Temperature

Table 18 - Maximum Allowable Pressure Drop, (Actuator Size 220)									
Trim Number	Set Pressure (barg)								
	0.094	0.40	0.70	1.0	1.3	1.6	1.9	2.3	2.7
1	279.9	279.6	279.3	279.0	278.7	278.4	278.1	277.7	277.3
2	279.9	279.6	279.3	279.0	278.7	278.4	278.1	277.7	277.3
3	150.6	279.6	279.3	279.0	278.7	278.4	278.1	277.7	277.3
4	84.7	279.6	279.3	279.0	278.7	278.4	278.1	277.7	277.3
5	54.2	230.7	255.0	255.0	255.0	255.0	255.0	255.0	255.0
6	37.7	160.2	177.0	177.0	177.0	177.0	177.0	177.0	177.0
8	21.2	90.1	99.0	99.0	99.0	99.0	99.0	99.0	99.0
10	13.6	57.7	63.0	63.0	63.0	63.0	63.0	63.0	63.0
12	9.4	40.1	44.0	44.0	44.0	44.0	44.0	44.0	44.0
14	6.9	29.4	32.0	32.0	32.0	32.0	32.0	32.0	32.0
16	5.3	22.5	25.0	25.0	25.0	25.0	25.0	25.0	25.0
18	4.2	17.8	19.0	19.0	19.0	19.0	19.0	19.0	19.0
20	3.4	14.4	16.0	16.0	16.0	16.0	16.0	16.0	16.0
22	2.8	11.9	13.0	13.0	13.0	13.0	13.0	13.0	13.0

## T = 150° C

Trim Number	Set Pressure (barg)								
	0.094	0.40	0.70	1.0	1.3	1.6	1.9	2.3	2.7
1	216.9	216.9	216.3	216.0	215.7	215.4	215.1	214.7	214.3
2	216.9	216.9	216.3	216.0	215.7	215.4	215.1	214.7	214.3
3	150.6	216.9	216.3	216.0	215.7	215.4	215.1	214.7	214.3
4	84.7	216.9	216.3	216.0	215.7	215.4	215.1	214.7	214.3
5	54.2	199.0	199.0	199.0	199.0	199.0	199.0	199.0	199.0
6	37.7	138.0	138.0	138.0	138.0	138.0	138.0	138.0	138.0
8	21.2	77.0	77.0	77.0	77.0	77.0	77.0	77.0	77.0
10	13.6	49.0	49.0	49.0	49.0	49.0	49.0	49.0	49.0
12	9.4	34.0	34.0	34.0	34.0	34.0	34.0	34.0	34.0
14	6.9	25.0	25.0	25.0	25.0	25.0	25.0	25.0	25.0
16	5.3	19.0	19.0	19.0	19.0	19.0	19.0	19.0	19.0
18	4.2	15.0	15.0	15.0	15.0	15.0	15.0	15.0	15.0
20	3.4	12.0	12.0	12.0	12.0	12.0	12.0	12.0	12.0
22	2.8	10.0	10.0	10.0	10.0	10.0	10.0	10.0	10.0

## T = 300° C

Trim Number	Set Pressure (barg)								
	0.094	0.40	0.70	1.0	1.3	1.6	1.9	2.3	2.7
1	178.9	178.6	178.3	178.0	177.7	177.4	177.1	176.7	176.3
2	178.9	178.6	178.3	178.0	177.7	177.4	177.1	176.7	176.3
3	150.6	178.6	178.3	178.0	177.7	177.4	177.1	176.7	176.3
4	84.7	178.6	178.3	178.0	177.7	177.4	177.1	176.7	176.3
5	54.2	163.0	163.0	163.0	163.0	163.0	163.0	163.0	163.0
6	37.7	113.0	113.0	113.0	113.0	113.0	113.0	113.0	113.0
8	21.2	63.0	63.0	63.0	63.0	63.0	63.0	63.0	63.0
10	13.6	41.0	41.0	41.0	41.0	41.0	41.0	41.0	41.0
12	9.4	28.0	28.0	28.0	28.0	28.0	28.0	28.0	28.0
14	6.9	21.0	21.0	21.0	21.0	21.0	21.0	21.0	21.0
16	5.3	16.0	16.0	16.0	16.0	16.0	16.0	16.0	16.0
18	4.2	12.0	12.0	12.0	12.0	12.0	12.0	12.0	12.0
20	3.4	10.0	10.0	10.0	10.0	10.0	10.0	10.0	10.0
22	2.8	8.0	8.0	8.0	8.0	8.0	8.0	8.0	8.0

## Weights

**Table 19 - Weights**

Actuator Sizes 100-140					
	NPT	ANSI Class 150 RF	PN 16/25/40	ANSI Class 300 RF	ANSI Class 600 RF
<b>1/2" (DN15)</b>	36.8 lbs (16.7 kg)	43.2 lbs (19.6 kg)	44.5 lbs (20.2 kg)	43.7 lbs (19.8 kg)	44.3 lbs (20.1 kg)
<b>3/4" (DN20)</b>	36.8 lbs (16.7 kg)	43.9 lbs (19.9 kg)	45.9 lbs (20.8 kg)	46.1 lbs (20.9 kg)	47 lbs (21.3 kg)
<b>1" (DN25)</b>	36.6 lbs (16.6 kg)	45.4 lbs (20.6 kg)	47.2 lbs (21.4 kg)	47.4 lbs (21.5 kg)	48.1 lbs (21.8 kg)
<b>1 1/2" (DN40)</b>	36.4 lbs (16.5 kg)	47.6 lbs (21.6 kg)	49.8 lbs (22.6 kg)	52.5 lbs (23.8 kg)	54.7 lbs (24.8 kg)
<b>2" (DN50)</b>	N.A.	50.9 lbs (23.1 kg)	53.1 lbs (24.1 kg)	54.2 lbs (24.6 kg)	57.5 lbs (26.1 kg)

**Table 20 - Weights**

Actuator Size 220				
	NPT	ANSI Class 150 RF	PN 16/25/40	ANSI Class 300 RF
<b>1/2" (DN15)</b>	46.7 lbs (21.2 kg)	53.1 lbs (24.1 kg)	44.5 lbs (20.2 kg)	54.5 lbs (24.7 kg)
<b>3/4" (DN20)</b>	46.7 lbs (21.2 kg)	53.8.5 lbs (24.4 kg)	45.9 lbs (20.8 kg)	56 lbs (25.4 kg)
<b>1" (DN25)</b>	46.5 lbs (21.1 kg)	55.3 lbs (25.1 kg)	47.2 lbs (21.4 kg)	57.3 lbs (26 kg)
<b>1 1/2" (DN40)</b>	46.3 lbs (21 kg)	57.5 lbs (26.1 kg)	49.8 lbs (22.6 kg)	62.4 lbs (28.3 kg)
<b>2" (DN50)</b>	N.A.	60.9 lbs (27.6 kg)	53.1 lbs (24.1 kg)	64.2 lbs (29.1 kg)

## Notes

# DIRECT SALES OFFICE LOCATIONS

## BELGIUM

Phone: +32-2-344-0970  
Fax: +32-2-344-1123

## BRAZIL

Phone: 55-11-2146-3600  
Fax: 55-11-2146-3610

## CANADA

Ontario  
Phone: 905-335-3529  
Fax: 905-336-7628

## CHINA

Phone: +86-10-8486-4515  
Fax: +86-10-8486-5305

## FRANCE

Courbevoise  
Phone: +33-1-4904-9000  
Fax: +33-1-4904-9010

## GERMANY

Viersen  
Phone: +49-2162-8170-0  
Fax: +49-2162-8170-280  
Frankfurt  
Phone: +49-69-439350  
Fax: +49-69-4970802

## INDIA

Mumbai  
Phone: +91-22-8354790  
Fax: +91-22-8354791

## New Delhi

Phone: +91-11-2-6164175  
Fax: +91-11-5-1659635

## ITALY

Phone: +39-081-7892-111  
Fax: +39-081-7892-208

## JAPAN

Chiba  
Phone: +81-43-297-9222  
Fax: +81-43-299-1115

## KOREA

Phone: +82-2-2274-0748  
Fax: +82-2-2274-0794

## KUWAIT

Phone: +965-9061157  
Fax: +965-3987879

## MALAYSIA

Phone: +60-3-2161-0322  
Fax: +60-3-2163-6312

## MEXICO

Phone: 52-5-310-9863  
Fax: 52-5-310-5584

## THE NETHERLANDS

Phone: +31-10-438-4122  
Fax: +31-10-438-4443

## RUSSIA

Veliky Novgorod  
Phone: +7-8162-15-7898  
Fax: +7-8162-15-7921

## Moscow

Phone: +7 495-585-1276  
Fax: +7 495-585-1279

## SAUDI ARABIA

Phone: +966-3-341-0278  
Fax: +966-3-341-7624

## SINGAPORE

Phone: +65-6-6861-6100  
Fax: +65-6-6861-7172

## SOUTH AFRICA

Phone: +27-11-452-1550  
Fax: +27-11-452-6542

## SOUTH & CENTRAL AMERICA AND THE CARIBBEAN

Phone: 832-590-2303  
Fax: 832-590-2529

## SPAIN

Phone: +34-93-652-6430  
Fax: +34-93-652-6444

## UNITED ARAB EMIRATES

Phone: +971-4-8838-752  
Fax: +971-4-8838-038

## UNITED KINGDOM

Uxbridge  
Phone: +44-1895-454-900  
Fax: +44-1895-454-919

## UNITED STATES

Massachusetts  
Phone: 508-586-4600  
Fax: 508-427-8971

Corpus Christi, Texas  
Phone: 361-881-8182  
Fax: 361-881-8246

Dresser Direct  
Deer Park, Texas  
Phone: 281-884-1000  
Fax: 281-884-1010

(Contractor Sales)  
Houston, Texas  
Phone: 832-590-2303  
Fax: 832-590-2529

California  
Phone: 562-941-7610  
Fax: 562-941-7810

## Aftermarket Value Services

Dresser - Masoneilan, a leading manufacturer of automated process control solutions, offers world-class global aftermarket services. Consistent and high quality services executed through a network of fully authorized and certified third party service centers, as well as company owned facilities include: Valve Repair, Technical Training, Field Support, Spare Parts Supply, Complete Equipment Replacement and Comprehensive Diagnostics.

## About Dresser, Inc.

Dresser, Inc. is a leader in providing highly engineered infrastructure products for the global energy industry. The company has leading positions in a broad portfolio of products including valves, actuators, meters, switches, regulators, piping products, natural gas-fueled engines, retail fuel dispensers and associated retail point of sale systems and air and gas handling equipment.

Leading brand names within the Dresser portfolio include Dresser Wayne® retail fueling systems, Waukesha® natural gas-fired engines, Masoneilan® control valves, Mooney® regulators, Consolidated® pressure relief valves, and Roots® blowers and rotary gas meters. It has manufacturing and customer service facilities located strategically worldwide and a sales presence in more than 100 countries. The company's website can be accessed at [www.dresser.com](http://www.dresser.com).

## Dresser Masoneilan

85 Bodwell Street  
Avon, MA 02322-1190  
Tele: 508-586-4600 / Fax: 508-941-5497  
Email: [sales@masoneilan.com](mailto:sales@masoneilan.com)

## Dresser Masoneilan

With its breadth of products, unequalled global presence and advanced process control expertise, Dresser Masoneilan is uniquely positioned to be the leading provider of flexible, best fit control valve solutions.

Supported by an integrated network of sales offices, Dresser Masoneilan provides the widest range of valve solutions and services for virtually every process control application.

