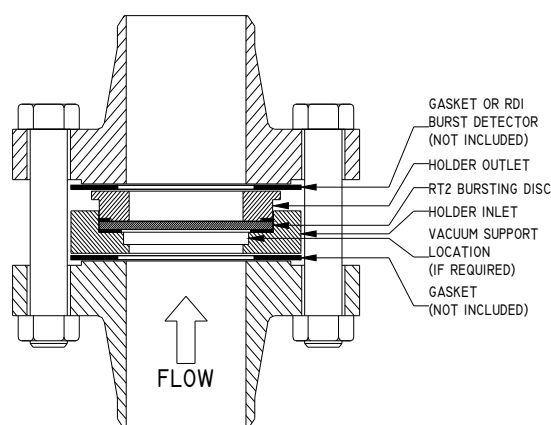
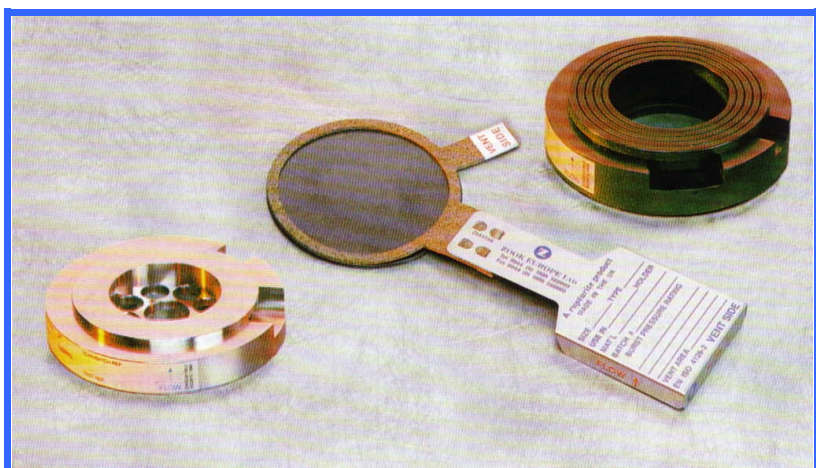


RT2 Graphite Bursting Disc

(Replacement Element Type Graphite Disc. Fits into a re-usable Disc Holder)



RT2 DISC AND HOLDER
TYPICAL INSTALLATION

RT2 Disc Features

- Graphite Discs are more corrosive resistant and less temperature sensitive than Metal Discs.
- The RT2 Disc is suitable for Gas, Liquid or Vapour Service.
- Available in nominal sizes from 1" (25mm) thru 24" (600mm).
- Fits into a re-usable Disc Holder
- The Zook RT2 type Graphite Bursting Disc is equivalent to most other manufacturers Replacement Element type Graphite Discs, i.e. EHG2, G2, Series 2, E2, and in most cases will fit into their holders (Consult Zook Europe first)
- The RT2 Disc can handle an Operating Pressure of up to 80 % of the Minimum Rated Burst Pressure of the Disc.
- Standard Burst Tolerances are +/- 10 % for 5 Psig and above, and +/- 3/4 Psig for below 5 Psig.
- The RT2 Disc can withstand Full Vacuum if Rated at 25 Psig and above. For Discs Rated below 25 Psig, a Reverse Pressure Support (RPS) must be fitted into the Disc Holder. (Note :- The RPS is a fixed type Vacuum Support and will reduce the Free Flow Area of the Disc on Burst – Consult Zook Europe)
- The RT2 Discs will be manufactured, where applicable, in accordance to the latest Pressure Equipment Directive (PED.) 97/23/EC (Category IV) and will carry our CE Mark in compliance to EN-4126-2. Burst Test Certificates will be supplied with the discs. (ASME or TUV Testing are also available if required).
- For additional corrosion resistance and wider temperature range special Fluoropolymer Sintered RT2T disc is available, consult ZOOK Europe Ltd
- Burst detection available for most applications by fitting RDI detector in place of holder outlet side gasket, consult ZOOK Europe Ltd.

Burst Pressure Range available (PSIG), by size for the RT2 Graphite Disc

Nominal Size	25 mm	40 mm	50 mm	65 mm	80 mm	100 mm	150 mm	200 mm	250 mm
Min (Psig)	10	7	3	3	2.5	1.75	1.5	1	1
Max (Psig)	400	300	200	175	150	100	75	50	50

Notes :-

1. The temperature limit for the RT2 type Disc is 165 Deg C
2. The RT2 Disc will Fragment on Burst



ZOOK EUROPE LTD

Unit 1.14 and 1.16, The Great House
Waterside Business Park, Rotherham Road
Dinnington, Sheffield, S25 3QA, UK

Tel 0044 (0) 1909 560999
 Fax 0044 (0) 1909 560860
 E mail zookeurope@zook.cc
 Web www.zook.cc